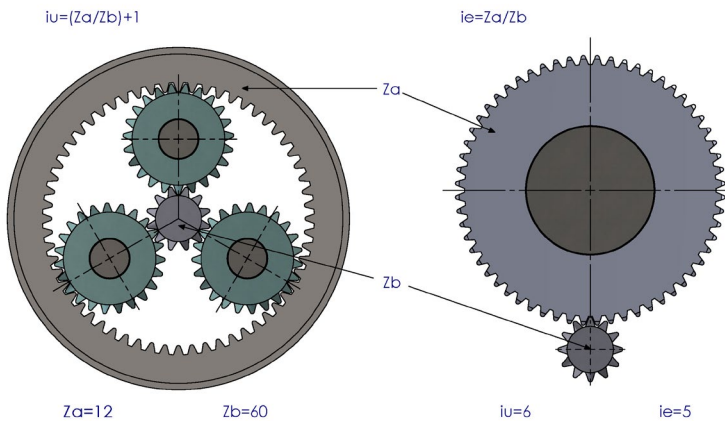


行星齒輪減速機 Planetary Gear Reducer

- 簡介
Elucidation ----- B01~B02
- 行星減速機產品代碼說明及安裝方式
Product Codes of Planetary Gear Reducer & Mounting Positions ----- B03
- 行星減速機系統分解圖
System Drawing ----- B04
- 計算資料
Calculate Data ----- B05~B06
- 減速機減速比 / 馬力 / 最大可承受扭力對照表
Sequence Balance Table of Ratio / HP & Maximum Torque ----- B07~B09
- 機型選用對照表
Type select table----- B10
- 行星式減速機尺寸表
Planetary Gear Reducer series dimension----- B11~B19
- 行星式減速機安裝伺服馬達尺寸圖
Planetary Gear Reducer connect with Servo Motor dimension ----- B20

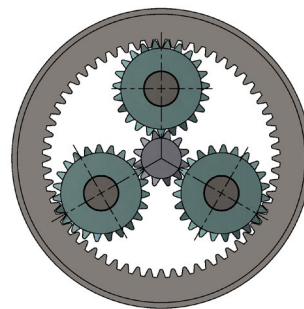
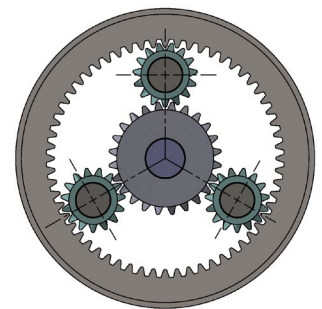


差異數值表 Contrast Table

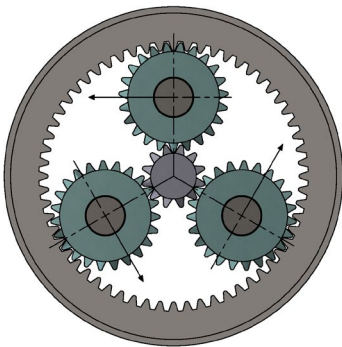
減速型式 Decelerating type	遊星式 Planetary	傳統式 Common	
減速比 Decelerating ratio	5.2	5.25	
輸入扭力 NM Input torque force NM	10000	10000	
齒輪 Gear	模數 M Modulus M	4	6
	齒數 Z_a Tooth number Z_a	63	63
	齒數 Z_b Tooth number Z_b	15	12
	前導角 Angle Front guiding angle	*	20°
	齒面寬度 Width Tooth face width	60	80
體積 Cubage(cm ³)	6000	13000	
重量 Weight	145	320	

高減速比 High decelerate ratio

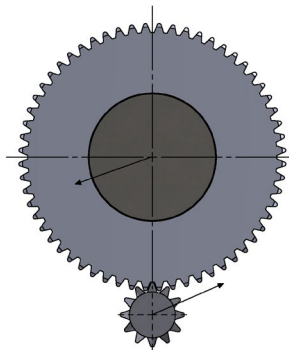
- ※ 比較遊星式齒輪組與正齒輪組，當使用相同的齒數時，遊星式齒輪組比正齒輪組更可達到較高的減速比。
Comparing planetary gear set with spur gear set, when applying same tooth number, planetary gear set can reach higher decelerating ratio than spur gear set does.
- ※ 由上圖可知當 $Z_a = 12T$, $Z_b = 60T$ 時，遊星式齒輪組較正齒輪組多出 20% 的減速比。
Refer to above picture, when $Z_a = 12T$, $Z_b = 60T$, planetary gear set reaches 20% higher decelerating ration than spur gear set does.
- ※ 只需更換中心之太陽齒輪及遊星齒輪，內齒環不變即可變換不同的減速比。
Offer different ratio, just change the sun gear and planetary gears with same inner tooth ring.
- ※ 利用增加減速機段數可達到高速比之效果。
Increase stage of the decelerator can reach higher ratio.
- ※ 高減速比只須將各段速比相乘即為所需。
High decelerating ratio can be calculated by multiplying the ratio of each stage.
- ※ 使用較少的段數即能達到相同速比，節省體積和成本。
Fewer stages can reach same ratio, and save more cost and volume.


 高減速比
High decelerating ratio

 低減速比
Low decelerating ratio

遊星式齒輪組
Planetary Gear



平行軸齒輪組
Parallel shaft gear



高效率 & 體積小 · 重量輕

HIGH EFFICIENCY SMALL VOLUME LIGHT

※ 遊星式齒輪箱中每一段齒輪均以正齒輪組裝，齒輪平均配置且受力平均落於六點之上，齒輪咬合度良好。而一般正齒輪只有一齒咬合，所以當扭力相同時，應力作用在遊星式齒輪上時較低，因此欲得相同負載，遊星式齒輪比一般正齒輪更輕小，即能達到所需之效果。

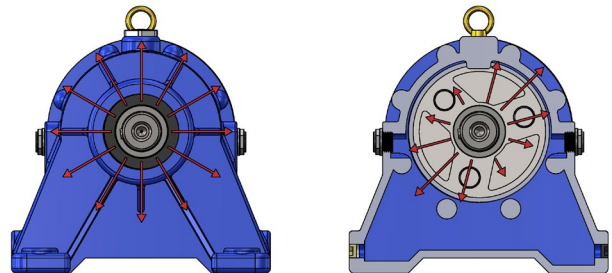
Planetary gears cause less noise than traditional due to every gear bear same load from the working system. It has highly efficiency cause every gear under heat treatment process and well grinding and save 25% volume than traditional gear.

高負載 HIGH LOAD

遊星式齒輪系統對於齒輪的傳動力量為平均分散，扭力經遊星式傳動裝置傳動至出力軸，其終結力為零。而平行軸傳動裝置中支撐齒輪的軸承須承受此終結力。因此，遊星式中支撐出、入力軸的軸承，只須承受外力加諸於出、入力軸上而負載即可，而傳統式只能由軸承來承受內部及外力，兩方的負載。故遊星式齒輪能承受出、入力軸上高輻向負載，不同方向之相同負載，而傳統式齒輪箱則無法做到。

Planetary gear system distributes driving force evenly. Torque force

is transmitted to output shaft via planetary driving and end force is zero. However, bearing in the parallel shaft driving device need to take the end force. Hence, bearing supporting output and input shafts only need to take the load on output and input shafts caused by external force. However, in common type gear, bearing need to take inside and outside force. Hence, planetary gear can take high spoke direction load on output and input shaft, and same load at different direction. But common gear box cannot have the function.



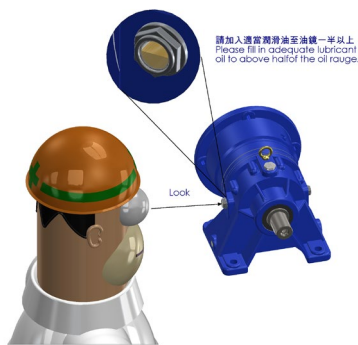
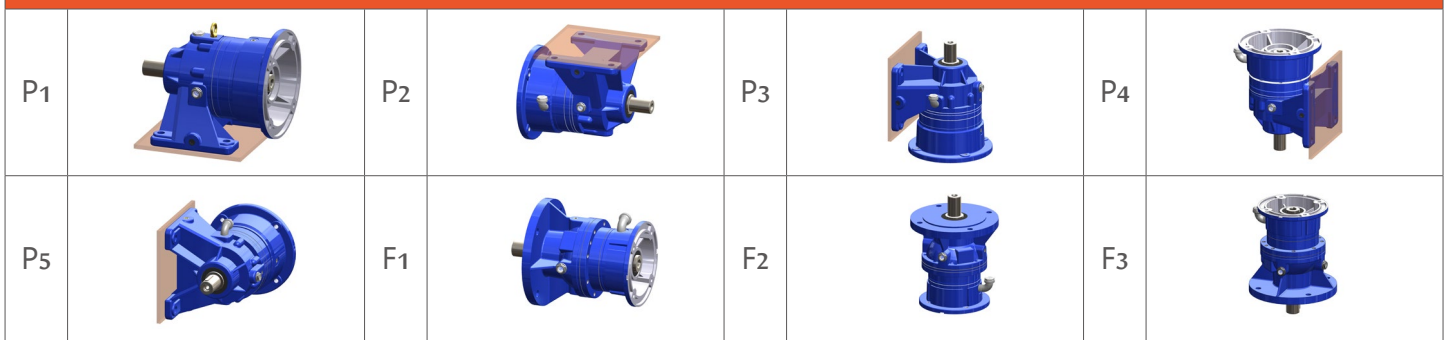
行星式齒輪減速機產品代號說明及安裝方式

Product codes of Planetary Gear Reducer & Mounting Positions

P - **M** - **32** - **5.77** - **2**
 | | | | |
 (1) (2) (3) (4) (5)

(1) 機型 Mounting Type	P- 臥式 (Horizontal) / F- 立式 (Vertical)
(2) 入力型式 Input Type	M- 法蘭式 (Flange mode) / S- 軸心型 (Shaft mode)
(3) 機型型號 Model Type	24(200) , 32(280) , 38(300) , 50(301) , 55(303) , 60(305) 80(307) , 90(309) , 110(311) , 120(313) , 50(315) , 200(317)
(4) 減速比 Ratio	1/3 , 48 , 1/3 , 57 , 1/4 , 09 , 1/4 , 26 …………….
(5) 輸入馬力 Input HP	1/4HP , 1/2HP , 1HP , 2HP , 3HP , 5HP , ……………250HP

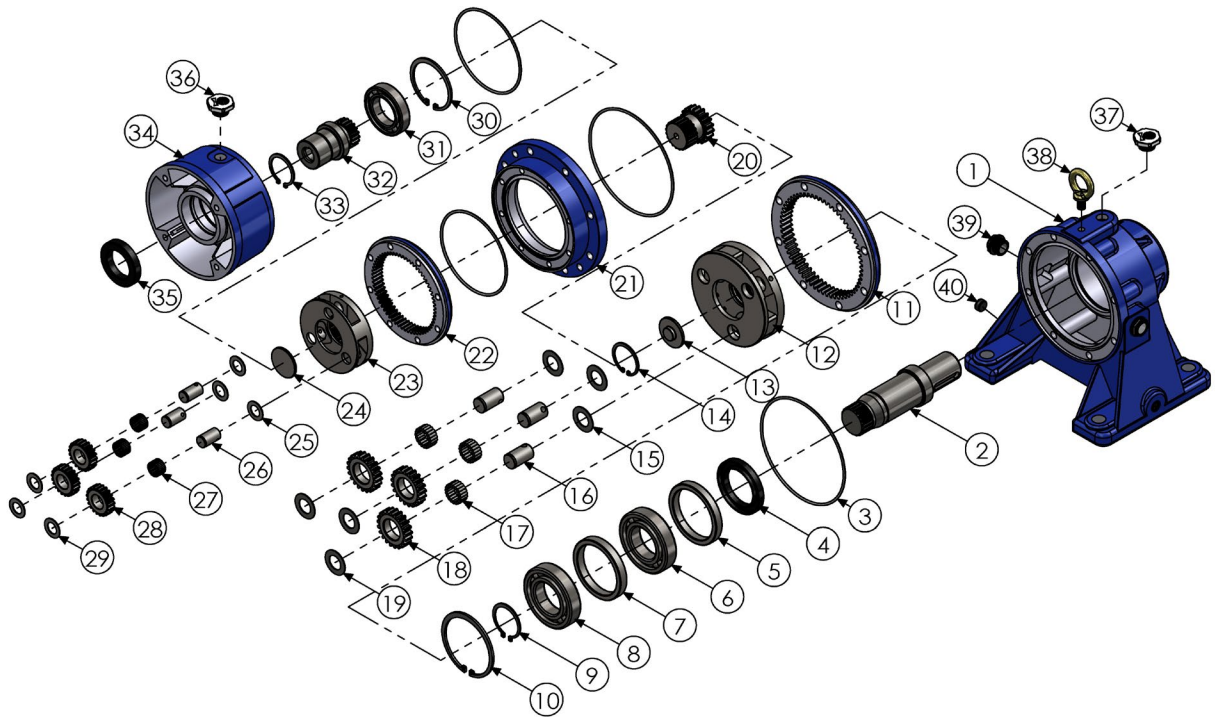
安裝方式 Mounting positions



- ※ 公司出廠之減速機皆使用國光牌極壓機油 HD-460。
- ※ 最初使用 300 小時後，需換上新油，其後每 2500 小時更換潤滑油。
- ※ 使用場合在高溫、高速、低速、重負荷、強制潤滑等特殊情況時，請與本公司洽詢。
- ※ 潤滑油不足可能導致齒輪快速磨損和效率降低。
- ※ 潤滑油過多可能導致漏油。
- ※ 請加入適當潤滑油至油面計一半以上。

- ※ PEI GONG gear reducers use Kuo-Kuang Brand engine oil HD-460.
- ※ After using first 300 hours, the inner oil should be cleaned up and refill new oil. And then, after every 2500 hours of usage replaces new oil .
- ※ Please contact our company if the reducer will be set in special conditions, such as high speed, high temperature, low speed, heavy load, and forced lubrication and so on.
- ※ Insufficient lubricant oil may cause gear broken and low efficiency.
- ※ Excessive lubricant oil may lead oil leakage.
- ※ Please fill in adequate lubricant oil to above half of the oil gauge.

行星減速機系統分解圖 System Drawing

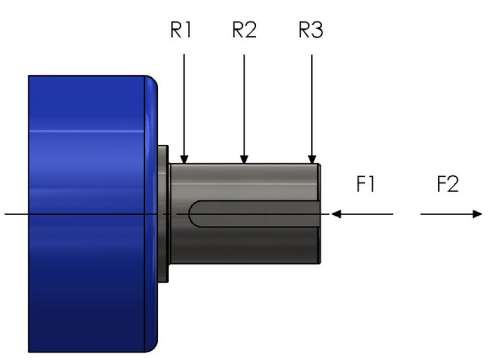


No.	零件名稱	Name of parts	No.	零件名稱	Name of parts	No.	零件名稱	Name of parts
1	外殼	Case	15	墊片	Washer	29	墊片	Washer
2	出力軸	Output shaft	16	遊星軸	Planetary shaft	30	C型扣環	C type buckle ring
3	O型環	O ring	17	針狀軸承	Needle bearing	31	軸承	Bearing
4	油封	Oil seal	18	遊星齒輪	Planetary gear	32	直結入力軸	Input shaft
5	軸承墊圈	Bearing washer	19	墊片	Washer	33	扣環	Snap ring
6	軸承	Bearing	20	太陽齒輪	Sun gear	34	入力法蘭	Input flange
7	軸承墊圈	Bearing washer	21	內六角螺絲	Hex socket cap screw	35	油封	Oil seal
8	軸承	Bearing	22	中繼盤	Relay cover	36	透氣蓋	Ventilate cover
9	扣環	Snap ring	23	內齒環	Inner tooth ring	37	透氣蓋	Ventilate cover
10	C型扣環	C type buckle ring	24	止推銅片	Stop steel plate	38	吊環	Bolt eye
11	內齒環	Inner tooth ring	25	墊片	Washer	39	油鏡	Oil gauge
12	遊星盤	Planetary plate	26	遊星軸	Planetary shaft	40	油塞	Oil plug
13	止推銅片	Stop steel plate	27	針狀軸承	Needle bearing			
14	C型扣環	C type buckle ring	28	遊星齒輪	Planetary gear			

計算資料 Calculation Data

徑向負荷與推力最大容許值 (Kg) Shaft load tolerance (kg)

型號 Model	R1	R2	R3	F1	F2
24 【 200 】	1000	600	420	950	600
32 【 280 】	1360	800	560	1100	800
38(H) 【 300(H) 】	1900	1100	750	2000	1500
50(H) 【 301(H) 】	1900	1100	750	2000	1500
55 【 303 】	6000	3800	2800	5500	4400
60 【 305 】	6000	3800	2800	5500	4400
80 【 307 】	9500	4500	3500	9000	5000
90 【 309 】	17000	11000	8000	10000	6000
110 【 311 】	26000	17000	12000	16000	9000
120 【 313 】	32000	21000	16000	20000	11000
150 【 315 】	34000	21000	17000	21000	15000
200 【 317 】	60000	40000	30000	36000	30000



荷重係數表 Load Factor Table

原動機 Prime Device	傳動機荷重等級 Device machine Load Classification	每日使用時間 Duration of Service per day			
		Occasional 0.5 hours.	Intermittent 2 hours.	8-10 hours.	10-24 hours.
電動機 Electric Motor	均一負荷 (Uniform)	0.80	0.90	1.00	1.25
	中衝擊 (Medium load)	0.90	1.00	1.25	1.50
	重衝擊 (Heavy load)	1.00	1.25	1.50	1.75

懸垂荷重係數表

O.H.L. Factor Table

傳動方式 Type	係數 Factor
鏈 輪 (Sprocket)	1.00
齒 輪 (Gear)	1.25
三角皮帶 (V-Belt)	1.50
平皮帶 (Flat Belt)	2.50

計算公式

Numeration Formula

M= 扭力 · HP= 馬力值 · n= 出力轉速

M= Torque force · HP=Horsepower
n=Output R.P.M.

$$M \text{ (Kg-M)} = \frac{716.2 \times \text{HP}}{n}$$

$$\text{HP} = \frac{M \times n}{716.2}$$

$$\text{Kw} = \text{HP} \times 0.746$$

概略效率表

Rough Efficiency Table

段數 Stages	減速比 Ratio	效率值 Efficiency
L1	3.48~7.2	97%
L2	12.1~51.8	95%
L3	63~373	92%
L4	403~2687	90%

單位換算 Conversion Factors

1 inch = 0.0254 m	1 lb = 0.45359 Kg	1 Kgm = 9.807 Nm	1 Kgm = 0.98 DaNm
1 feet = 0.3048 m	1 DaNm = 10 Nm	1 Nm = 0.102 Kgm	1 DaNm = 1.02 Kgm

減速機減速比 / 馬力 / 最大可承受扭力對照表 Sequence Balance Table of Ratio / HP & Maximum Torque

關係對照表 Sequence Balance Table																				4 極馬達 _ 轉速 1750 r.p.m (HP*4P With 1750 RPM)								
型號	L1		L2			L3					L4					代碼	最大承受扭力值											
	一段減速比 1 STAGE	最大輸入馬力 MI	二段減速比 2 STAGES	最大輸入馬力 MI	二段減速比 2 STAGES	最大輸入馬力 MI	三段減速比 3 STAGES	最大輸入馬力 MI	三段減速比 3 STAGES	最大輸入馬力 MI	三段減速比 3 STAGES	最大輸入馬力 MI	四段減速比 4 STAGES	最大輸入馬力 MI	四段減速比 4 STAGES			最大輸入馬力 MI	四段減速比 4 STAGES	最大輸入馬力 MI								
TYPE	One stage decelerating	maximum input horsepower MI	two stage decelerating	maximum input horsepower MI	two stage decelerating	maximum input horsepower MI	three stage decelerating	maximum input horsepower MI	three stage decelerating	maximum input horsepower MI	three stage decelerating	maximum input horsepower MI	four stage decelerating	maximum input horsepower MI	four stage decelerating	maximum input horsepower MI	four stage decelerating	maximum input horsepower MI										
24 (200)	3.57 4.94 5.78 7.09 9.37	C A B C C	1 1 1 1 1	12.7	A	1	45.5	C	0.5	179.5	C	0.25	471.0 507.5 622.5 877.7	C B C C	0.125 0.125 0.125 0.125	162.4	C	0.125	595.5	A	0.125	1226.7	A	0.125				
				17.6	B	1	63.0	C	0.5	193.1	B	0.25				224.8	A	0.125	690.2	B	0.125	1321.7	B	0.125				
				20.6	A	1	73.7	B	0.5	202.4	A	0.25				263.0	B	0.125	696.8	A	0.125	1369.1	A	0.125				
				24.4	A	1	87.1	A	0.5	228.7	A	0.25				311.0	A	0.125	722.7	A	0.125	1621.2	A	0.125				
				25.3	C	1	90.4	C	0.5	236.9	B	0.125				322.6	C	0.125	815.3	A	0.125	1679.4	B	0.125				
				28.5	B	1	102.0	A	0.5	248.3	A	0.125				363.9	A	0.125	816.3	A	0.125	1809.4	B	0.125				
				33.4	B	1	119.3	B	0.25	267.5	A	0.125				425.8	B	0.125	846.7	C	0.125	1896.9	A	0.125				
	87.8	C	0.5	35.0	A	1	120.6	A	0.25	290.6	B	0.125	426.3	C	0.125	854.7	A	0.125	2060.0	B	0.125							
				41.0	B	1	125.0	A	0.25	313.0	B	0.125	430.4	A	0.125	953.9	A	0.125	2142.6	A	0.125							
				46.3	A	1	141.0	A	0.25	328.2	A	0.125	446.4	A	0.125	1000.0	A	0.125	2219.4	B	0.125							
				50.3	C	0.5	146.3	B	0.25	356.4	C	0.125	503.6	A	0.125	1116.2	B	0.125	2526.9	C	0.125							
				54.2	C	0.5	165.0	A	0.25	384.0	B	0.125	522.3	C	0.125	1117.5	B	0.125	2933.2	B	0.125							
				66.4	C	0.5	173.0	A	0.25	433.7	C	0.125	589.9	A	0.125	1129.6	A	0.125	2936.9	C	0.125							
				32 (280)	3.48 4.26 5.77 7.2	C A B C	5 5 5 5	12.1	C	5	51.6	A	2	109.5	A	0.5	240.1 299.6 389.3	B C B	0.25 0.25 0.25	403.9	B	0.25	631.8	A	0.125	1111.3	B	0.125
14.8	A	5	63.1					A	2	116.0	B	0.5	447.8	A	0.25	669.7				B	0.125	1276.5	A	0.125				
18.1	A	5	69.9					B	1	128.7	A	0.5	466.5	A	0.25	756.8				A	0.125	1329.0	A	0.125				
20.0	B	3	77.3					A	1	142.1	A	0.5	494.4	A	0.25	801.5				A	0.125	1385.5	B	0.125				
24.6	A	3	85.5					A	1	148.3	B	0.5	506.3	A	0.25	855.8				B	0.125	1658.3	A	0.125				
30.7	A	3	87.2					C	0.5	177.3	A	0.5	548.1	A	0.25	891.2				C	0.125	1728.9	B	0.125				
33.3	B	2	104.7					A	1	192.4	B	0.5	605.2	A	0.125	949.0				B	0.125	2120.7	B	0.125				
51.8	C	1	41.5		B	2	106.7	A	1	217.5	A	0.5	617.0	A	0.125	1000.1	A	0.125	2646.3	C	0.125							
			38 (300) 38H (300H)		3.48 4.26 5.77 7.2	C A B C	7.5 7.5 7.5 7.5	12.1	C	7.5	51.6	A	5	115.8	B	2	299.6 312.0 367.5	C B C	0.5 0.5 0.5	403.9	C	0.5	631.8	A	0.25	1111.3	B	0.125
								14.8	A	7.5	63.1	A	3	130.7	A	2				447.8	A	0.5	669.7	B	0.25	1276.5	B	0.125
								18.1	A	7.5	69.9	B	3	141.8	A	2				466.5	A	0.5	756.8	A	0.25	1329.0	A	0.125
								20.0	B	7.5	77.3	A	3	144.6	B	1				494.4	A	0.5	801.5	A	0.25	1385.5	B	0.125
								24.6	A	7.5	85.5	A	3	177.0	A	1				506.3	A	0.25	855.8	B	0.25	1658.3	A	0.125
								30.7	A	7.5	87.2	C	2	192.1	B	1				548.1	A	0.25	891.2	C	0.25	1728.9	B	0.125
33.3	B	5		104.7				A	2	220.8	A	1	605.2	A	0.25	949.0				B	0.25	2120.7	B	0.125				
51.8	C	3		41.5	B	5	106.7	A	2	239.7	B	1	617.0	A	0.25	1000.1	A	0.25	2646.3	C	0.125							
				50 (301) 50H (301H)	3.48 4.26 5.77 7.2	C A B C	15 15 15 15	12.1	C	10	51.6	A	7.5	130.7	A	3	403.2 446.1 454.7 493.6 503.1 556.6 604.2 615.9 631.8	B A A A B A A A A	1 1 1 1 1 1 1 1 0.5	669.7	B	0.5	756.8	A	0.5	1329.0	A	0.25
								14.8	A	10	63.1	A	7.5	141.8	A	3				446.1	A	1	801.5	B	0.5	1658.3	A	0.25
								18.1	A	10	69.9	B	5	144.6	B	3				454.7	A	1	855.7	C	0.5	1728.9	B	0.25
								20.0	B	10	77.3	A	5	177.0	A	3				493.6	A	1	891.2	B	0.5	2120.7	B	0.25
								24.6	A	10	85.5	A	5	192.1	B	2				503.1	B	1	891.2	B	0.5	1728.9	B	0.25
								30.7	A	10	87.2	C	3	220.8	A	2				556.6	A	1	949.0	A	0.5	2120.7	B	0.125
33.3	B	10	104.7					A	3	239.7	B	2	604.2	A	1	1000.1				B	0.25	2646.3	C	0.125				
51.8	C	7.5	41.5		B	10	106.7	A	3	299.1	B	1	615.9	A	1	1111.3	A	0.25	2646.3	C	0.125							
			115.8		B	3	373.3	C	1	631.8	A	0.5	1276.5	A	0.25													

Planetary Gear Reducer 行星齒輪減速機

B

B01~B19

關係對照表 Sequence Balance Table

4 極馬達 _ 轉速 1750 r.p.m (HP*4P With 1750 RPM)

型號	L1		L2				L3				L4				代碼	最大承受扭力值																																																																																																	
	一段減速比 1 STAGE	最大輸入馬力 MI	二段減速比 2 STAGES	最大輸入馬力 MI	二段減速比 2 STAGES	最大輸入馬力 MI	三段減速比 3 STAGES	最大輸入馬力 MI	三段減速比 3 STAGES	最大輸入馬力 MI	三段減速比 3 STAGES	最大輸入馬力 MI	四段減速比 4 STAGES	最大輸入馬力 MI			四段減速比 4 STAGES	最大輸入馬力 MI																																																																																															
TYPE	One stage decelerating	maximum input horsepower MI	two stage decelerating	maximum input horsepower MI	two stage decelerating	maximum input horsepower MI	three stage decelerating	maximum input horsepower MI	three stage decelerating	maximum input horsepower MI	three stage decelerating	maximum input horsepower MI	four stage decelerating	maximum input horsepower MI	four stage decelerating	maximum input horsepower MI	four stage decelerating	maximum input horsepower MI	code	maximum torque																																																																																													
55 (303)	3.6 4.25 5.33 6.2 7.5	C A B C D	20 20 20 20 20	12.5 14.8 15.3 18.1 20.8 22.7 24.5 26.4 30.7 35.8	C A C A C B A C	20 20 20 15	38.4 43.3 44.6 54.0	B D C D	15 10 10	53.4 63.0 72.3 77.1 79.0 88.5 96.7 104.5 107.0 112.5	C A C A B C B A B C	10 10 7.5 7.5 5 5 5 5 5	124.5 131.0 133.6 141.5 150.6 163.5 177.5 186.6 190.2 220.3	C B B A D D C C A	5 5 5 5 3 3 3 3 3	230.0 257.6 276.3 311.6 321.4 388.8	D C B D C D	2 2 2 1 1 1	412.1 455.9 520.5 558.1 617.5 651.7 699.0 755.0 807.6 872.2	B B C B C C A A B A	1 1 1 1 0.5 0.5 0.5 0.5 0.5 0.5	965.0 1020.5 1088.4 1166.5 1279.8 1325.8 1455.6 1597.0 1654.4 1801.0	D A A C B A C B A D	0.5 0.5 0.5 0.5 0.5 0.5 0.25 0.25 0.25	1959.0 2278.8 2413.5	B C C	0.25 0.25 0.25	A	326.2																																																																																				
																												B	285.4																																																																																				
																												C	249.7																																																																																				
																												D	214.0																																																																																				
																												60 (305)	3.6 4.25 5.33 6.2 7.5	C A B C D	30 30 30 30 30	12.5 14.8 15.3 18.1 20.8 22.7 24.5 26.4 30.7 35.8	C A C A C B A C	30 30 30 15	38.4 43.0 44.6 54.0	B D C D	30 20 20 15	53.4 63.0 72.3 77.1 79.0 88.5 96.7 104.5 107.0 112.5	C A C A B C B A B C	20 20 15 15 10 10 10 10 10	124.5 131.0 133.6 141.5 150.6 163.5 177.5 186.6 190.2 220.3	C B B A D D C C A	10 10 10 10 7.5 7.5 5 5 5	230.0 257.6 276.3 311.6 321.4 388.8	D C B D C D	3 3 3 3 3 3	412.1 455.9 520.5 558.1 617.5 654.0 696.4 756.0 800.5 869.0	B B C B B D B D D D	3 2 2 2 1 1 1 1 1	961.6 1023.9 1084.3 1177.1 1277.7 1327.3 1486.2 1594.3 1656.3 1797.8	B B D D C A D D	1 1 1 1 0.5 0.5 0.5 0.5 0.5	1989.4 2243.4 2799.4	B D D	0.5 0.5 0.25	A	642.2																																																								
																																																								B	560.6																																																								
																																																								C	484.2																																																								
																																																								D	417.9																																																								
																																																								80 (307)	3.43 4.09 5.25 6.23	C A B C	50 50 50 50	12.3 14.7 17.4 18.9 21.8 25.4 28.0 30.7 32.6 38.6	C A B A C A C A B A	50 50 50	46.7	C	50	43.0 50.7 60.5 62.7 75.8 80.5 89.5 92.9 100.3 113.3	C C A A A B C A A B	20 20 20 15 15 20 20 20 20 20	125.2 138.7 146.3 152.8 157.0 162.6 177.0 187.8 191.6 199.1	A B A C A C B B C C	20 15 15 10 10 7.5 7.5 7.5 7.5	201.5 220.9 227.2 234.4 269.6 278.1 283.5 336.4	B A B B C C C	10 10 10 10 7.5 7.5 7.5	395.6 454.8 490.2 546.2 602.6 653.6 692.7 754.0 768.6 815.6	A A A A C B C A A B	7.5 7.5 7.5 5 3 3 3 3 3	847.9 905.6 940.9 1021.3 1105.5 1130.1 1148.5 1274.4 1450.6 1590.2	C A A A C A C A B A	3 3 3 2 2 2 2 2 2	1721.4 1941.1 2002.4 2041.2 2422.0	C C C B B	1 1 1 1 1	A	1555																												
																																																																																				B	1269																												
																																																																																				C	1096																												
																																																																																				90 (309)	3.43 4.09 5.25 6.23	C A B C	75 75 75 75	12.3 14.7 17.4 18.9 21.8 25.4 28.0 30.7 32.6 38.6	CC A B A C A B A C	75 75 75	46.7	C	75	43.0 50.7 60.5 62.7 75.8 80.5 89.5 92.9 100.3 113.3	C C A A A B C A A B	75 75 30 25 25 25 40 40 40 30	125.2 138.7 146.3 152.8 157.0 162.6 177.0 187.8 191.6 199.1	A B A C A C B B C C	30 30 30 25 25 25 25 20 20 20	201.5 220.9 227.2 234.4 269.6 278.1 283.5 336.4	B A B B C C C	20 20 15 15 10 10 10 10	395.6 454.8 490.2 546.2 602.6 653.6 692.7 754.0 768.6 815.6	A A C A C A C A A A	10 10 10 10 5 5 5 5 5	847.9 905.6 940.9 1021.3 1105.5 1130.1 1148.5 1274.4 1450.6 1590.2	A A A A C C C C A	3 5 5 5 3 3 3 3 3	1721.4 1941.1 2002.4 2041.2 2422.2	C C C B B	2 2 2 2 1	A	2294
																																																																																																																B	1835
																																																																																																																C	1631

關係對照表 Sequence Balance Table

4 極馬達 _ 轉速 1750 r.p.m (HP*4P With 1750 RPM)

型號	L1			L2			L3			L4			代碼	最大承受扭力值																										
	一段減速比 1 STAGE	最大輸入馬力 MI		二段減速比 2 STAGES	最大輸入馬力 MI		三段減速比 3 STAGES	最大輸入馬力 MI		四段減速比 4 STAGES	最大輸入馬力 MI																													
TYPE	decelerating	One stage maximum input horsepower MI		decelerating	two stage maximum input horsepower MI		decelerating	three stage maximum input horsepower MI		decelerating	four stage maximum input horsepower MI		code	maximum torque																										
110 (311)	4.14 5.4 5.5 6.5	A B C	100 100 100	14.2	A	100	51.1	A	75	109.6	A	40	175.8	B	30	384.7	A	15	790.1	B	7.5	1192.6	B	5	1392.8	A	3313													
				16.9	A	100	61.0	A	75	120.5	B	40	181.9	C	25	399.8	B	15	847.6	B	5	5	5	5	1192.6	B	5	2548												
				18.5	B	100	72.0	A	60	136.9	B	40	193.4	A	25	501.5	B	10	914.4	B	5	5	5	5	1501.8	A	3	2090												
				21.7	A	100	78.2	A	60	143.0	B	40	208.6	B	25	588.9	B	10	955.8	B	5	5	5	5	1816.7	B	3													
120 (313)	4.14 5.4 5.5 6.5	A B C	150 150 150	14.2	A	150	51.1	A	150	109.6	A	75	175.8	B	60	384.7	A	30	790.1	B	15	10	1192.6	B	10	1392.8	A	6626												
				16.9	A	150	61.0	A	150	120.5	B	75	181.9	C	50	399.8	B	30	847.6	B	10	10	10	10	1392.8	B	7.5	5097												
				18.5	B	150	72.0	A	100	136.9	B	75	193.4	A	50	501.5	B	20	914.4	B	10	10	10	10	1501.8	A	5													
				21.7	A	150	78.2	A	100	143.0	B	75	208.6	B	50	588.9	B	20	955.8	B	10	10	10	10	1816.7	B	5	4179												
150 (315)	4.09 5.25 5.5 6.23	A B C	200 200 200	16.9	A	200	58.1	A	200							268.4	B	75	666.7	B	30								A	13149										
				21.7	B	200	69.3	A	200	148.8	B	150						309.6	A	50	703.9	C	25	1110.8	B	20														
				22.1	A	200	74.6	B	200	165.6	A	100						350.0	B	50	750.6	B	25	1205.1	C	15					B	10907								
				25.8	C	200	88.9	B	200	179.6	B	100						397.4	B	50	791.2	B	20	1318.1	C	15														
200 (317)	4.09 5.25 5.5 6.23	A B C	250 250 250	16.7	A	250	69.3	A	250							283.2	A	100													A	19367								
				21.4	A	250	88.9	B	250									304.9	B	100	781.4	B	40																	
				25.4	A	250	90.3	A	250									363.6	B	100	869.5	B	40																	
				27.5	B	250	105.5	A	250	114.1	B	250	212.6	B	150			397.7	B	75	927.3	B	40																	
200 (317)	4.09 5.25 5.5 6.23	A B C	250 250 250	32.7	C	250	114.1	B	250	252.3	C	100				464.4	B	75	1001.1	C	30													B	16106					
				38.8	C	250	135.4	B	250									510.5	B	75	1100.4	B	30																	
							148.8	B	250									553.8	B	50	1305.7	C	25																	
							165.6	A	200									605.8	B	50	1324.5	B	25																	
200 (317)	4.09 5.25 5.5 6.23	A B C	250 250 250	176.6	B	200	176.6	B	200							677.4	A	50	1571.7	C	20																			
				209.6	C	150	209.6	C	150									710.9	B	50																				

※REMARK : (MI) = Max Input HP

◎ 每組速比其後均各自擁有一對應英文代碼，對照表右側之《最大承受扭力欄》，即為最大承受扭力值。

Every ratio has one corresponding English code, Please refer to the right side of table to see the maximum torque(kg-m)

◎ 例：32 型二段，減速比 14.82，其英文代碼為 A，對照《最大承受扭力欄》，A 為 51 Kg-m，即為其最大承受扭力值。

For example, type 32 two stage, decelerating ratio 14.82, English code is A, the maximum torque is 51.0 kg-m.

範例 Example

※ 輸入傳動馬力 1HP，減速比 30.7，概略效率 95%，求其輸出扭矩？

解：先求其出力轉速 $n = 1800 \times \frac{1}{30.7} = 58.63$ R.P.M.

代入公式 $M = \frac{716.2 \times \text{HP}}{n}$ 中

$$M = \frac{716.2 \times 1}{58.63} = 12.2156(\text{Kg-m})$$

再將效率參考代入 $12.2156 \times 95\% = 11.6$ (Kg-m)
則輸出扭矩為 11.6 Kg-m

※ Input horsepower 1HP, decelerating ratio 1/30.7, assume driving efficiency 95%, calculate its output torque

Solution: first, calculate output rotation number,

$$n = 1800 \times \frac{1}{30.7} = 58.63 \text{ R.P.M.}$$

$$\text{Apply formula } M = \frac{716.2 \times \text{HP}}{n} = 12.2156(\text{Kg-m})$$

Think efficiency 95%

$$12.2156 \times 95\% = 11.6 (\text{Kg-m})$$

Then output torque is 11.6 Kg-m.

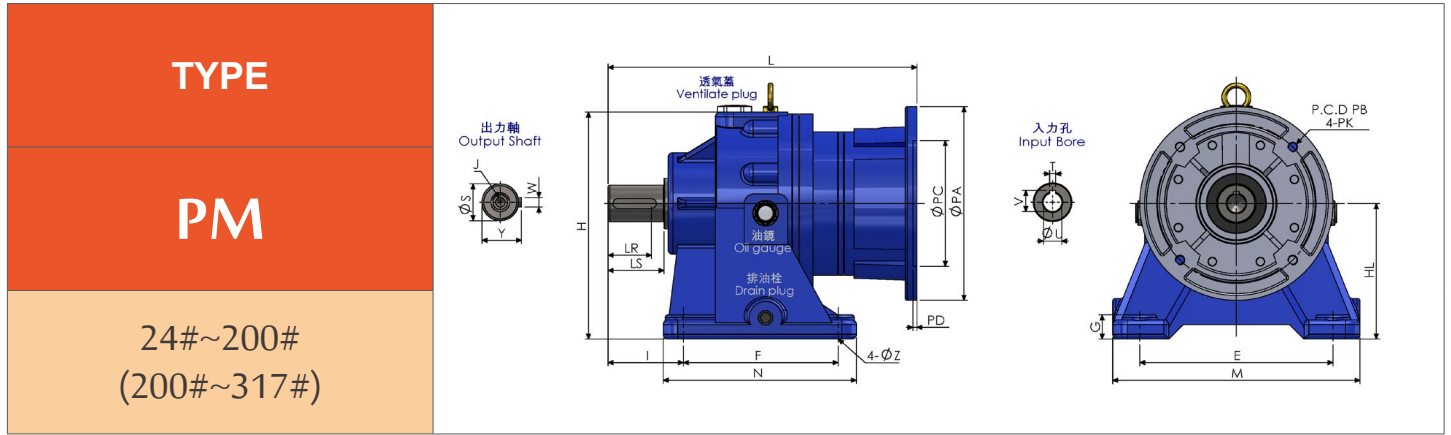
機型選用對照表

Type select table

4 極馬達 _ 轉速 1750 r.p.m (HP*4P With 1750 RPM)

輸入馬力 INPUT HP	減速比範圍 RANGE OF RATIO	型號 SIZE	輸入馬力 INPUT HP	減速比範圍 RANGE OF RATIO	型號 SIZE
1/8HP(100w)	1/3.57~1/2936	24L1,L2,L3,L4	15HP(11000w)	1/3.48~1/7.2	50L1
1/4HP(200w)	1/3.57~1/228	24L1,L2,L3		1/12.5~1/38.4	55L2
	1/217~1/548	32L3,L4		1/38.4~1/79	60L2,L3
	1/506~1329	38L4		1/75.8~1/191	80L3
	1/1000~1/1728	50L4		1/191~1/234	90L3
1/2HP(400w)	1/1455~1/2413	55L4	1/208~1/399	110L3,L4	
	1/3.57~1/102	24L1,L2,L3	1/399~1/790	120L4	
	1/104~1/217	32L3	1/791~1/1564	150L4	
	1/220~1/494	38L3,L4	1/3.6~1/7.5	55L1	
	1/493~1/949	50L4	1/12.5~1/43	60L2	
1HP(750w)	1/651~1/1325	55L4	20HP(15000w)	1/50~1/125	80L3
	1/1327~1/2243	60L4		1/125~1/220	90L3
	1/3.48~1/106	32L1,L2,L3		1/208~1/252	110L3
	1/106~1/239	38L3		1/252~1/588	120L3,L4
	1/239~1/615	50L3,L4		1/551~1/1110	150L4
2HP(1500w)	1/311~1/617	55L3,L4	25HP(18500w)	1/1100~1/1571	200L4
	1/617~1/1277	60L4		1/3.6~1/7.5	60L1
	1/1274~1/2422	80L4		1/12.5~1/46	80L2
	1/3.48~1/63	32L1,L2,L3		1/43~1/177	90L3
	1/51.8~1/141	38L2,L3		1/175~1/208	110L3
3HP(2200w)	1/141~1/239	50L3	30HP(22000w)	1/208~1/399	120L3,L4
	1/230~1/276	55L3		1/397~1/750	150L4
	1/276~1/617	60L4		1/710~1/1324	200L4
	1/~6021/1590	80L4		1/3.6~1/7.5	60L1
	1/1590~1/2041	90L4		1/12.3~1/46	80L2
5HP(3700w)	1/3.48~1/30.7	32L1,L2	40HP(30000w)	1/43~1/146	90L3
	1/30.7~1/85	38L2,L3		1/143~1/175	110L3
	1/85~1/177	50L3		1/175~1/384	120L3
	1/177~1/220	55L3		1/397~1/666	150L4
	1/220~1/321	60L3		1/677~1/1100	200L4
7.5HP(5500w)	1/336~1/1021	80L3,L4	50HP(37000w)	1/3.43~1/6.23	80L1
	1/1021~1/1590	90L4		1/12.3~1/100	90L2,L3
	1392~1816	110L4		1/109~1/151	110L3
	1/3.48~1/51.6	38L1,L2,L3		1/151~1/252	120L3
	1/51.6~1/85	50L3		1/268~1/602	150L4
10HP(7500w)	1/88~1/141	55L3	75HP(55000w)	1/605~1/927	200L4
	1/141~1/220	60L3		1/3.43~1/6.23	80L1
	1/220~1/546	80L3,L4		1/12.3~1/80.5	90L2,L3
	1/546~1/1021	90L4		1/78.2~1/92.4	110L3
	1/1034~1/1192	110L4		1/92.4~1/208	120L3
15HP(11000w)	1/1192~1/1816	120L4	100HP(75000w)	1/209~1/397	150L3,L4
	1/3.48~1/30.7	38L1,L2		1/397~1/710	200L4
	1/30.7~1/63.1	50L2,L3		1/3.43~1/6.23	90L1
	1/63~1/79	55L3		1/14.2~1/61	110L2,L3
	1/79~1/177	60L3		1/61~1/151	120L3
20HP(15000w)	1/177~1/490	80L3,L4	150HP(110000w)	1/148~1/268	150L3,L4
	1/490~1/546	90L4		1/283~1/510	200L4
	1/588~1/790	110L4		1/4.14~1/40.5	110L1,L2
	1/790~1/1501	120L4		1/51~1/92.4	120L3
	1/3.48~1/41.5	50L1,L2		1/97.2~1/179	150L3
25HP(185000w)	1/43.3~1/63	55L2,L3	200HP(150000w)	1/176~1/363	200L3,L4
	1/63~1/141.5	60L3		1/4.14~1/40.5	120L1,L2
	1/138.7~1/234	80L3		1/58~1/148	150L3
	1/234~1/546	90L3,L4		1/148~1/212	200L3
	1/501~1/588	110L3,L4		1/4.09~1/97.2	150L1,L2,L3
30HP(22000w)	1/588~1/1192	120L4	250HP(1850000w)	1/105~1/176	200L3
	1/1205~1892	150L4		1/4.09~1/148	200L1,L2,L3

行星式減速機尺寸表 Planetary Gear Reducer series dimension



尺寸表 DIMENSION *in millimeter

型號 SIZE	E	F	G	H	HL	I	J	M	N	ØZ	出力軸 Output Shaft				
											LR	LS	ØS	W	Y
24 [200]	140	90	13	150	90	53	M8	170	120	12	30	35	24	8	27
32 [280]	170	125	20	185	110	70	M10	210	155	12	40	50	32	10	35
38 [300]	200	160	25	233	140	78	M12	260	200	18	50	58	38	10	41
38H [300H]				283	190										
50 [301]	200	160	25	233	140	102	M16	260	200	18	70	82	50	14	53.5
50H [301H]				283	190										
55 [303]	300	250	35	332	210	142	M16	370	305	22	80	95	55	16	59
60 [305]	300	250	35	332	210	152	M20	370	305	22	90	105	60	18	64
80 [307]	365	356	45	425	250	175	P.C.D 55 3-M12*P1.75	445	436	28	110	130	80	22	85
90 [309]	365	356	45	425	250	215	P.C.D 55 3-M12*P1.75	445	436	28	150	170	90	25	95
110 [311]	457	400	40	503	280	295	P.C.D 70 3-M16*P2	560	524	28	180	200	110	28	116
120 [313]	457	470	40	503	280	295	P.C.D 70 3-M16*P2	560	590	28	180	200	120	32	127
150 [315]	508	412	40	586	315	425	P.C.D 70 3-M16*P2	620	556	33	200	250	150	36	158
200 [317]	700	450	40	763	415	567	P.C.D 140 6-M16*P2	850	650	33	250	260	200	45	210

馬力 HP	1/4	1/2	1	2	3	5	7.5	10	15	20	25,30	40	50,60	75	100
極數 P	4	4	4	4	4	4	4	4	4	4	4	4	4	4	4
框號 ICE	63	71	80	90L	100L	112M	132S	132M	160M	160L	180MC	180LC	200LC	225SC	A250SC
PA	160	160	200	200	250	250	300	300	350	350	400	400	450	550	550
PB	130	130	165	165	215	215	265	265	300	300	350	350	400	500	500
PC	110	110	130	130	180	180	230	230	250	250	300	300	350	450	450
PD	4	4	4	4	5	5	5	5	5	6	6	6	6	6	6
PK	M8	M8	M10	M10	M12	M12	M12	M12	M16	M16	M16	M16	M16	8-M16	8-M16
ØU	11	14	19	24	28	28	38	38	42	42	48	55	60	65	75
T	4	5	6	8	8	8	10	10	12	12	14	16	18	18	20
V	12.8	16.3	21.8	27.3	31.3	31.3	41.3	41.3	45.3	45.3	51.8	59.4	64	69.4	79.9

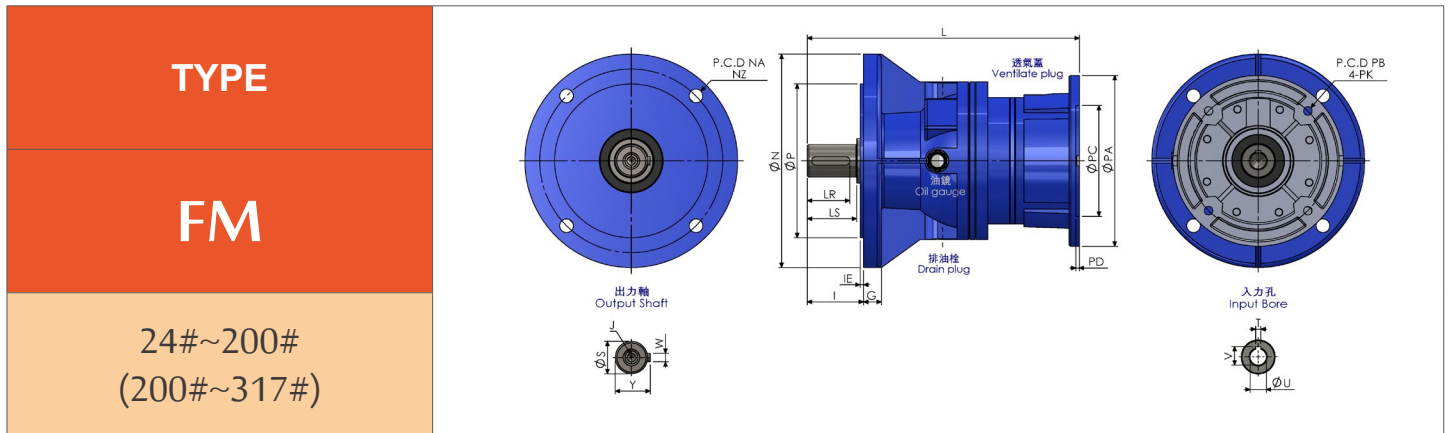
Planetary Gear Reducer 行星齒輪減速機

B

B01~B19

(L) 長度表 LENGTH TABLE *in millimeter

馬力 HP (*4P)		1/4,1/2	1,2	3,5	7.5,10	15,20	25,30	40	50,60	75	100
型號 Size	段別 Stages										
24 [200]	1 段 1 Stage	191	196	※	※	※	※	※	※	※	※
32 [280]		230	230	235	※	※	※	※	※	※	※
38(H) [300(H)]		※	289	294	304	333	354	373	※	※	※
50(H) [301(H)]		※	325	330	340	370	391	410	※	※	※
55 [303]		※	※	※	386	401	401	401	436	436	436
60 [305]		※	※	※	414	429	429	429	464	464	464
80 [307]		※	※	※	※	630	630	630	630	630	630
90 [309]		※	※	※	※	707	707	707	707	707	707
馬力 HP (*4P)		1/4,1/2	1,2	3,5	7.5,10	15,20	25,30	40	50,60	75	100
型號 Size	段別 Stages										
24 [200]	2 段 2 Stage	221	226	※	※	※	※	※	※	※	※
32 [280]		258	263	268	※	※	※	※	※	※	※
38(H) [300(H)]		320	320	325	※	※	※	※	※	※	※
50(H) [301(H)]		※	378	383	393	422	444	463	※	※	※
55 [303]		※	399	404	414	443	464	483	※	※	※
60 [305]		※	439	444	454	483	483	523	※	※	※
80 [307]		※	※	※	629	644	644	644	679	679	679
90 [309]		※	※	※	724	739	739	739	774	774	774
110 [311]		※	※	※	※	913	913	913	913	913	913
120 [313]		※	※	※	※	1020	1020	1020	1020	1020	1020
馬力 HP (*4P)		1/4,1/2	1,2	3,5	7.5,10	15,20	25,30	40	50,60	75	100
型號 Size	段別 Stages										
24 [200]	3 段 3 Stage	251	256	※	※	※	※	※	※	※	※
32 [280]		290	295	300	※	※	※	※	※	※	※
38(H) [300(H)]		353	353	358	※	※	※	※	※	※	※
50(H) [301(H)]		410	410	415	※	※	※	※	※	※	※
55 [303]		430	430	435	※	※	※	※	※	※	※
60 [305]		※	492	497	507	536	557	576	※	※	※
80 [307]		※	642	647	657	686	707	726	※	※	※
90 [309]		※	749	754	764	793	793	793	※	※	※
110 [311]		※	※	※	912	927	927	927	962	※	※
120 [313]		※	※	※	1037	1052	1052	1052	1087	1087	1087
150 [315]		※	※	※	※	1313	1313	1313	1313	1313	1313
馬力 HP (*4P)		1/4,1/2	1,2	3,5	7.5,10	15,20	25,30	40	50,60	75	100
型號 Size	段別 Stages										
24 [200]	4 段 4 Stage	281	286	※	※	※	※	※	※	※	※
32 [280]		323	328	333	※	※	※	※	※	※	※
38(H) [300(H)]		385	385	390	※	※	※	※	※	※	※
50(H) [301(H)]		441	443	448	※	※	※	※	※	※	※
55 [303]		458	463	468	※	※	※	※	※	※	※
60 [305]		523	523	528	※	※	※	※	※	※	※
80 [307]		674	674	679	※	※	※	※	※	※	※
90 [309]		※	802	807	817	846	867	886	※	※	※
110 [311]		※	925	930	940	969	990	1009	※	※	※
120 [313]		※	1062	1067	1077	1106	1127	1146	※	※	※
150 [315]		※	※	※	1330	1345	1345	1345	1380	1380	1380
200 [317]		※	※	※	※	1739	1739	1739	1739	1739	1739



尺寸表 DIMENSION *in millimeter

型號 SIZE	G	I	IE	J	N	NA	NZ	P	出力軸 Output Shaft				
									LR	LS	ØS	W	Y
24 [200]	12	44	4	M8	160	130	4-Ø10	110	30	35	24	8	27
32 [280]	16	59	4	M10	200	165	4-Ø12	130	40	50	32	10	35
38 [300]	20	67	4	M12	250	215	4-Ø16	180	50	58	38	10	41
38H [300H]					300	265	4-Ø16	230					
50 [301]	20	91	4	M16	250	215	4-Ø16	180	70	82	50	14	53.5
50H [301H]					300	265	4-Ø16	230					
55 [303]	20	104	4	M16	350	300	4-Ø19	250	80	95	55	16	59
60 [305]	20	114	4	M20	350	300	4-Ø19	250	90	105	60	18	64
80 [307]	27	140	4	PC.D 55 3-M12*P1.75	450	400	4-Ø22	350	110	130	80	22	85
90 [309]	27	180	4	PC.D 55 3-M12*P1.75	450	400	4-Ø22	350	150	170	90	25	95
110 [311]	35	220	5	PC.D 70 3-M16*P2	550	500	4-Ø28	450	180	200	110	28	116
120 [313]	35	220	5	PC.D 70 3-M16*P2	550	500	4-Ø28	450	180	200	120	32	127
150 [315]	30	499	13	PC.D 70 3-M16*P2	640	600	24-Ø22	460	200	250	150	36	158
200 [317]	50	642	10	PC.D 140 6-M16*P2	900	800	24-Ø32	700	250	260	200	45	210

馬力 HP	1/4	1/2	1	2	3	5	7.5	10	15	20	25,30	40	50,60	75	100
極數 P	4	4	4	4	4	4	4	4	4	4	4	4	4	4	4
框號 ICE	63	71	80	90L	100L	112M	132S	132M	160M	160L	180MC	180LC	200LC	225SC	A250SC
PA	160	160	200	200	250	250	300	300	350	350	400	400	450	550	550
PB	130	130	165	165	215	215	265	265	300	300	350	350	400	500	500
PC	110	110	130	130	180	180	230	230	250	250	300	300	350	450	450
PD	4	4	4	4	5	5	5	5	5	6	6	6	6	6	6
PK	M8	M8	M10	M10	M12	M12	M12	M12	M16	M16	M16	M16	8-M16	8-M16	8-M16
ØU	11	14	19	24	28	28	38	38	42	42	48	55	60	65	75
T	4	5	6	8	8	8	10	10	12	12	14	16	18	18	20
V	12.8	16.3	21.8	27.3	31.3	31.3	41.3	41.3	45.3	45.3	51.8	51.8	59.4	69.4	79.9

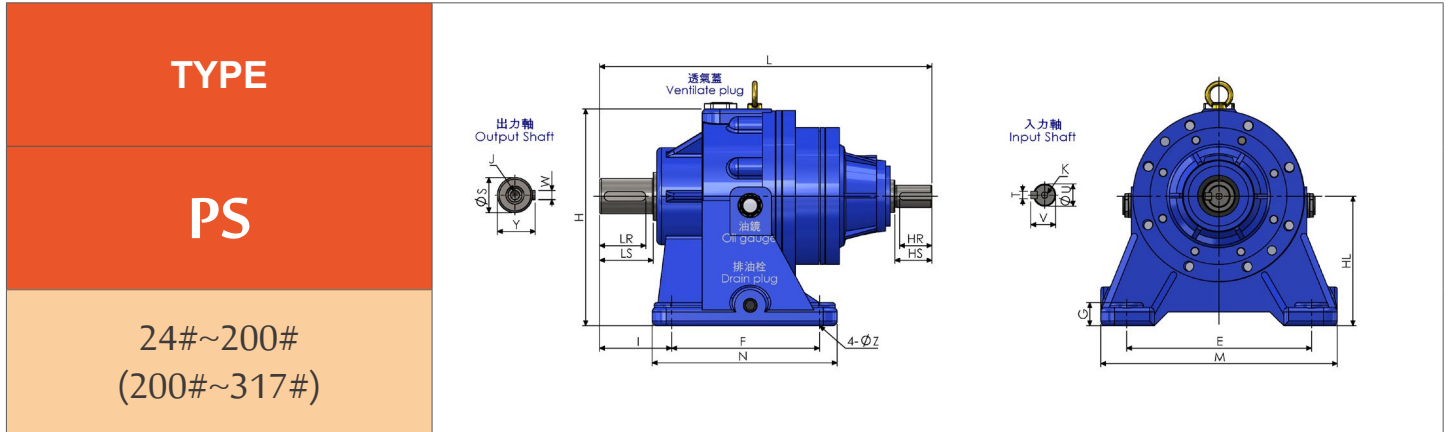
Planetary Gear Reducer 行星齒輪減速機

B

B01~B19

(L) 長度表 LENGTH TABLE *in millimeter

馬力 HP (*4P)		1/4,1/2	1,2	3,5	7.5,10	15,20	25,30	40	50,60	75	100
型號 Size	段別 Stages										
24 [200]	1 段 1 Stage	191	196	※	※	※	※	※	※	※	※
32 [280]		230	230	235	※	※	※	※	※	※	※
38(H) [300(H)]		※	289	294	304	333	354	373	※	※	※
50(H) [301(H)]		※	325	330	340	370	391	410	※	※	※
55 [303]		※	※	※	386	401	401	401	436	436	436
60 [305]		※	※	※	414	429	429	429	464	464	464
80 [307]		※	※	※	※	630	630	630	630	630	630
90 [309]		※	※	※	※	707	707	707	707	707	707
馬力 HP (*4P)		1/4,1/2	1,2	3,5	7.5,10	15,20	25,30	40	50,60	75	100
型號 Size	段別 Stages										
24 [200]	2 段 2 Stage	221	226	※	※	※	※	※	※	※	※
32 [280]		258	263	268	※	※	※	※	※	※	※
38(H) [300(H)]		320	320	325	※	※	※	※	※	※	※
50(H) [301(H)]		※	378	383	393	422	444	463	※	※	※
55 [303]		※	399	404	414	443	464	483	※	※	※
60 [305]		※	439	444	454	483	483	523	※	※	※
80 [307]		※	※	※	629	644	644	644	679	679	679
90 [309]		※	※	※	724	739	739	739	774	774	774
110 [311]		※	※	※	※	913	913	913	913	913	913
120 [313]		※	※	※	※	1020	1020	1020	1020	1020	1020
馬力 HP (*4P)		1/4,1/2	1,2	3,5	7.5,10	15,20	25,30	40	50,60	75	100
型號 Size	段別 Stages										
24 [200]	3 段 3 Stage	251	256	※	※	※	※	※	※	※	※
32 [280]		290	295	300	※	※	※	※	※	※	※
38(H) [300(H)]		353	353	358	※	※	※	※	※	※	※
50(H) [301(H)]		410	410	415	※	※	※	※	※	※	※
55 [303]		430	430	435	※	※	※	※	※	※	※
60 [305]		※	492	497	507	536	557	576	※	※	※
80 [307]		※	642	647	657	686	707	726	※	※	※
90 [309]		※	749	754	764	793	793	793	※	※	※
110 [311]		※	※	※	912	927	927	927	962	※	※
120 [313]		※	※	※	1037	1052	1052	1052	1087	1087	1087
150 [315]		※	※	※	※	1313	1313	1313	1313	1313	1313
馬力 HP (*4P)		1/4,1/2	1,2	3,5	7.5,10	15,20	25,30	40	50,60	75	100
型號 Size	段別 Stages										
24 [200]	4 段 4 Stage	281	286	※	※	※	※	※	※	※	※
32 [280]		323	328	333	※	※	※	※	※	※	※
38(H) [300(H)]		385	385	390	※	※	※	※	※	※	※
50(H) [301(H)]		438	443	448	※	※	※	※	※	※	※
55 [303]		458	463	468	※	※	※	※	※	※	※
60 [305]		523	523	528	※	※	※	※	※	※	※
80 [307]		674	674	679	※	※	※	※	※	※	※
90 [309]		※	802	807	817	846	867	886	※	※	※
110 [311]		※	925	930	940	969	990	1009	※	※	※
120 [313]		※	1062	1067	1077	1106	1127	1146	※	※	※
150 [315]		※	※	※	1330	1345	1345	1345	1380	1380	1380
200 [317]		※	※	※	※	1739	1739	1739	1739	1739	1739



尺寸表 DIMENSION *in millimeter															
型號 SIZE	E	F	G	H	HL	I	J	M	N	ØZ	出力軸 Output Shaft				
											LR	LS	ØS	W	Y
24 [200]	140	90	13	150	90	53	M8*P1.25	170	120	12	30	35	24	8	27
32 [280]	170	125	20	185	110	70	M10*P1.5	210	155	12	40	50	32	10	35
38 [300]	200	160	25	233	140	78	M12*P1.75	260	200	18	50	58	38	10	41
38H [300H]				283	190										
50 [301]	200	160	25	233	140	102	M16*P2	260	200	18	70	82	50	14	53.5
50H [301H]				283	190										
55 [303]	300	250	35	332	210	142	M16*P2	370	305	22	80	95	55	16	59
60 [305]	300	250	35	332	210	152	M20*P2.5	370	305	22	90	105	60	18	64
80 [307]	365	356	45	425	250	175	PC.D 55 3-M12*P1.75	445	436	28	110	130	80	22	85
90 [309]	365	356	45	425	250	215	PC.D 55 3-M12*P1.75	445	436	28	150	170	90	25	95
110 [311]	457	400	40	503	280	295	PC.D 70 3-M16*P2	560	524	28	180	200	110	28	116
120 [313]	457	470	40	503	280	295	PC.D 70 3-M16*P2	560	590	28	180	200	120	32	127
150 [315]	508	412	40	586	315	425	PC.D 70 3-M16*P2	620	556	33	200	250	150	36	158
200 [317]	700	450	40	763	415	567	PC.D 140 6-M16*P2	850	650	33	250	260	200	45	210

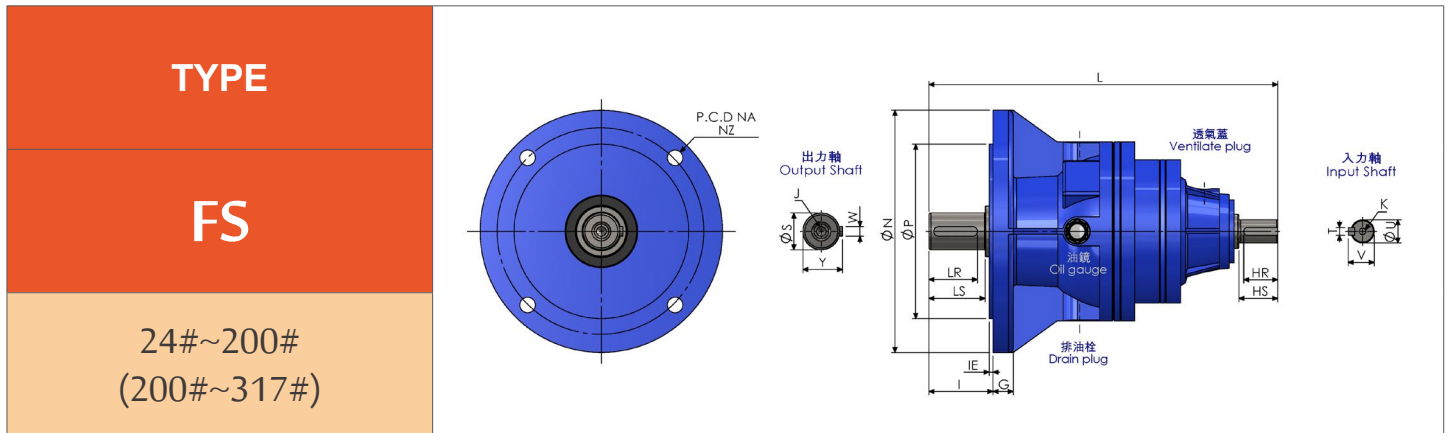
Planetary Gear Reducer 行星齒輪減速機

B

B01~B19

(L) 長度表 LENGTH TABLE *in millimeter

馬力 HP (*4P)		L	HS	HR	ØU	T	V	K	
型號 Size	段別 Stages								
24 [200]	1 段 1 Stage	252	30	20	19	6	21.5	M6	
32 [280]		298	40	35	24	8	27	M8	
38(H) [300(H)]		361	58	45	38	10	41	M10	
50(H) [301(H)]		396	58	45	38	10	41	M10	
55 [303]		516	82	70	50	14	53.5	M12	
60 [305]		544	82	70	50	14	53.5	M12	
80 [307]		713	105	90	60	18	64	M14	
90 [309]		790	105	90	60	18	64	M14	
110 [311]		990	130	110	80	22	85	P.C.D 55 3-M12	
120 [313]		1060	130	110	80	22	85	P.C.D 55 3-M12	
馬力 HP (*4P)		L	HS	HR	ØU	T	V	K	
型號 Size		段別 Stages							
24 [200]	2 段 2 Stage	282	30	20	19	6	21.5	M6	
32 [280]		331	40	35	24	8	27	M8	
38(H) [300(H)]		388	40	35	24	8	27	M8	
50(H) [301(H)]		449	58	45	38	10	41	M10	
55 [303]		470	58	45	38	10	41	M10	
60 [305]		510	58	45	38	10	41	M10	
80 [307]		760	82	70	50	14	53.5	M12	
90 [309]		855	82	70	50	14	53.5	M12	
110 [311]		996	105	90	60	18	64	M14	
120 [313]		1103	105	90	60	18	64	M14	
150 [315]		1353	130	110	80	22	85	P.C.D 55 3-M12	
馬力 HP (*4P)		L	HS	HR	ØU	T	V	K	
型號 Size	段別 Stages								
24 [200]	3 段 3 Stage	312	30	20	19	6	21.5	M6	
32 [280]		363	40	35	24	8	27	M8	
38(H) [300(H)]		421	40	35	24	8	27	M8	
50(H) [301(H)]		477	40	35	24	8	27	M8	
55 [303]		498	40	35	24	8	27	M8	
60 [305]		563	58	45	38	10	41	M10	
80 [307]		714	58	45	38	10	41	M10	
90 [309]		821	58	45	38	10	41	M10	
110 [311]		1043	82	70	50	14	53.5	M12	
120 [313]		1168	82	70	50	14	53.5	M12	
150 [315]		1396	105	90	60	18	64	M14	
200 [317]		1779	130	110	80	22	85	P.C.D 55 3-M12	
馬力 HP (*4P)		L	HS	HR	ØU	T	V	K	
型號 Size	段別 Stages								
24 [200]	4 段 4 Stage	342	30	20	19	6	21.5	M6	
32 [280]		396	40	35	24	8	27	M8	
38(H) [300(H)]		453	40	35	24	8	27	M8	
50(H) [301(H)]		510	40	35	24	8	27	M8	
55 [303]		530	40	35	24	8	27	M8	
60 [305]		591	40	35	24	8	27	M8	
80 [307]		742	58	45	38	10	41	M10	
90 [309]		874	58	45	38	10	41	M10	
110 [311]		997	58	45	38	10	41	M10	
120 [313]		1134	58	45	38	10	41	M10	
150 [315]		1461	82	70	50	14	53.5	M12	
200 [317]		1822	105	90	60	18	64	M14	



尺寸表 DIMENSION *in millimeter													
型號 SIZE	G	I	IE	J	N	NA	NZ	P	出力軸 Output Shaft				
									LR	LS	ØS	W	Y
24 [200]	12	44	4	M8	160	130	4-Ø10	110	30	35	24	8	27
32 [280]	16	59	4	M10	200	165	4-Ø12	130	40	50	32	10	35
38 [300]	20	67	4	M12	250	215	4-Ø16	180	50	58	38	10	41
38H [300H]					300	265	4-Ø16	230					
50 [301]	20	91	4	M16	250	215	4-Ø16	180	70	82	50	14	53.5
50H [301H]					300	265	4-Ø16	230					
55 [303]	20	104	4	M16	350	300	4-Ø19	250	80	95	55	16	59
60 [305]	20	114	4	M20	350	300	4-Ø19	250	90	105	60	18	64
80 [307]	27	140	4	P.C.D 55 3-M12*P1.75	450	400	4-Ø22	350	110	130	80	22	85
90 [309]	27	180	4	P.C.D 55 3-M12*P1.75	450	400	4-Ø22	350	150	170	90	25	95
110 [311]	35	220	5	P.C.D 70 3-M16*P2	550	500	4-Ø28	450	180	200	110	28	116
120 [313]	35	220	5	P.C.D 70 3-M16*P2	550	500	4-Ø28	450	180	200	120	32	127
150 [315]	30	499	13	P.C.D 70 3-M16*P2	640	600	24-Ø22	460	200	250	150	36	158
200 [317]	50	642	10	P.C.D 140 6-M16*P2	900	800	24-Ø32	700	250	260	200	45	210

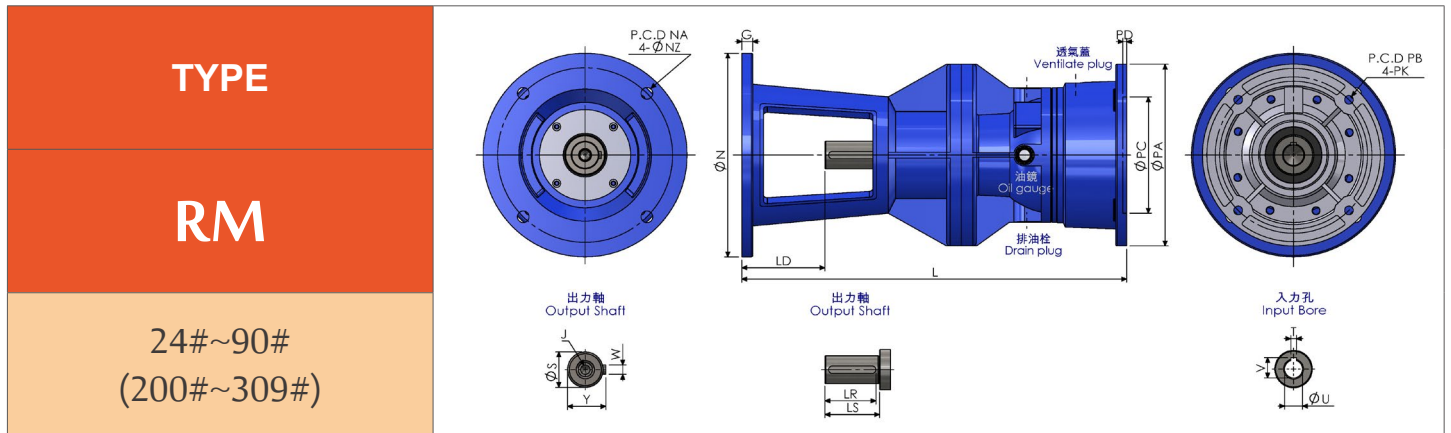
Planetary Gear Reducer 行星齒輪減速機

B

B01~B19

(L) 長度表 LENGTH TABLE *in millimeter

馬力 HP (*4P)		L	HS	HR	ØU	T	V	K
型號 Size	段別 Stages							
24 [200]	1 段 1 Stage	252	30	20	19	6	21.5	M6
32 [280]		298	40	35	24	8	27	M8
38(H) [300(H)]		361	58	45	38	10	41	M10
50(H) [301(H)]		396	58	45	38	10	41	M10
55 [303]		516	82	70	50	14	53.5	M12
60 [305]		544	82	70	50	14	53.5	M12
80 [307]		713	105	90	60	18	64	M14
90 [309]		790	105	90	60	18	64	M14
110 [311]		990	130	110	80	22	85	PCD 55 3-M12
120 [313]		1060	130	110	80	22	85	PCD 55 3-M12
馬力 HP (*4P)		L	HS	HR	ØU	T	V	K
型號 Size	段別 Stages							
24 [200]	2 段 2 Stage	282	30	20	19	6	21.5	M6
32 [280]		331	40	35	24	8	27	M8
38(H) [300(H)]		388	40	35	24	8	27	M8
50(H) [301(H)]		449	58	45	38	10	41	M10
55 [303]		470	58	45	38	10	41	M10
60 [305]		510	58	45	38	10	41	M10
80 [307]		760	82	70	50	14	53.5	M12
90 [309]		855	82	70	50	14	53.5	M12
110 [311]		996	105	90	60	18	64	M14
120 [313]		1103	105	90	60	18	64	M14
150 [315]		1353	130	110	80	22	85	PCD 55 3-M12
馬力 HP (*4P)		L	HS	HR	ØU	T	V	K
型號 Size	段別 Stages							
24 [200]	3 段 3 Stage	312	30	20	19	6	21.5	M6
32 [280]		363	40	35	24	8	27	M8
38(H) [300(H)]		421	40	35	24	8	27	M8
50(H) [301(H)]		477	40	35	24	8	27	M8
55 [303]		498	40	35	24	8	27	M8
60 [305]		563	58	45	38	10	41	M10
80 [307]		714	58	45	38	10	41	M10
90 [309]		821	58	45	38	10	41	M10
110 [311]		1043	82	70	50	14	53.5	M12
120 [313]		1168	82	70	50	14	53.5	M12
150 [315]		1396	105	90	60	18	64	M14
200 [317]		1779	130	110	80	22	85	PCD 55 3-M12
馬力 HP (*4P)		L	HS	HR	ØU	T	V	K
型號 Size	段別 Stages							
24 [200]	4 段 4 Stage	342	30	20	19	6	21.5	M6
32 [280]		396	40	35	24	8	27	M8
38(H) [300(H)]		453	40	35	24	8	27	M8
50(H) [301(H)]		510	40	35	24	8	27	M8
55 [303]		530	40	35	24	8	27	M8
60 [305]		591	40	35	24	8	27	M8
80 [307]		742	58	45	38	10	41	M10
90 [309]		874	58	45	38	10	41	M10
110 [311]		997	58	45	38	10	41	M10
120 [313]		1134	58	45	38	10	41	M10
150 [315]		1461	82	70	50	14	53.5	M12
200 [317]		1822	105	90	60	18	64	M14



尺寸表 DIMENSION *in millimeter

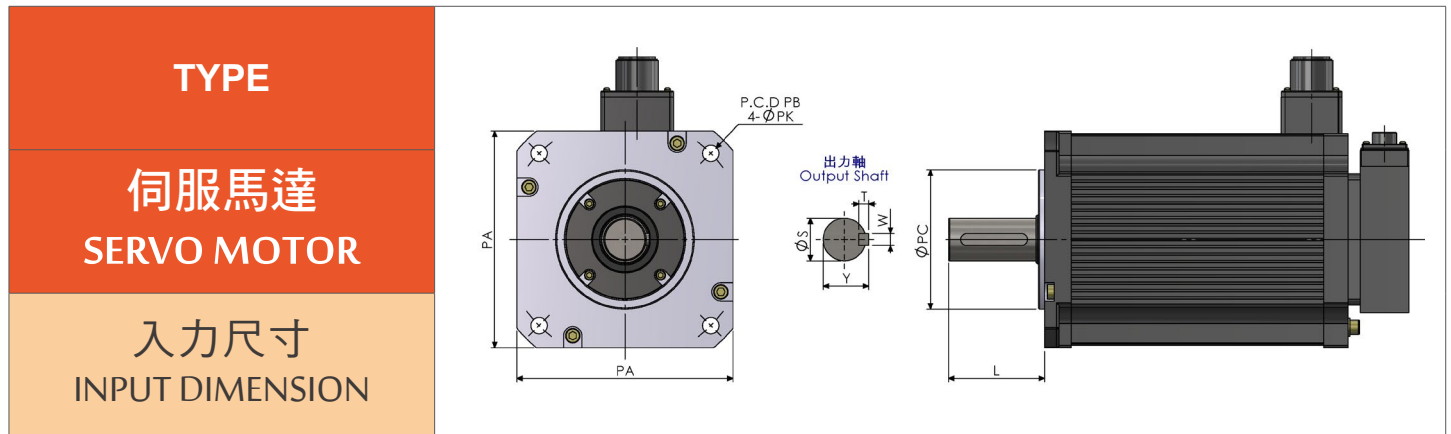
型號 SIZE	G	LD	N	NA	ØNZ	P	出力軸 Output Shaft					
							LR	LS	ØS	W	Y	J
24 [200]	10	60	180	155	10	109	35	40	24	8	27	M8*P1.25
32 [280]	12	75	210	185	12	146	45	50	32	10	35	M10*P1.5
38 [300]	15	105	280	240	16	185	70	75	38	10	41	M16*P2
50 [301]	15	86	280	240	16	185	70	75	50	14	53.5	M16*P2
55 [303]	20	120	350	310	16	240	85	90	55	16	59	M16P*2
60 [305]	20	130	350	310	16	240	85	90	60	18	64	M20P*2.5
80 [307]	25	150	490	430	22	340	109	114	80	22	85	P.C.D-55 3-M12*P1.75
90 [309]	25	150	490	430	22	340	109	114	90	25	95	P.C.D-55 3-M12*P1.75

(L) 長度表 LENGTH TABLE *in millimeter

段別 Stages	1 段 1 Stage								2 段 2 Stage							
型號 Size	24 [200]	32 [280]	38 [300]	50 [301]	55 [303]	60 [305]	80 [307]	90 [309]	24 [200]	32 [280]	38 [300]	50 [301]	55 [303]	60 [305]	80 [307]	90 [309]
馬力 HP (*4P)	24 [200]	32 [280]	38 [300]	50 [301]	55 [303]	60 [305]	80 [307]	90 [309]	24 [200]	32 [280]	38 [300]	50 [301]	55 [303]	60 [305]	80 [307]	90 [309]
1/4,1/2	347	405	*	*	*	*	*	*	377	438	553	*	*	*	*	*
1,2	352	405	522	533	*	*	*	*	382	438	553	586	670	710	*	*
3,5	*	410	527	538	*	*	*	*	*	443	558	591	675	715	*	*
7.5,10	*	*	537	548	656	685	*	*	*	*	*	601	685	725	966	1059
15,20	*	*	566	577	672	700	*	*	*	*	*	630	714	754	981	1074
25,30	*	*	*	*	672	700	*	*	*	*	*	*	*	*	981	1074
段別 Stages	3 段 3 Stage								4 段 4 Stage							
型號 Size	24 [200]	32 [280]	38 [300]	50 [301]	55 [303]	60 [305]	80 [307]	90 [309]	24 [200]	32 [280]	38 [300]	50 [301]	55 [303]	60 [305]	80 [307]	90 [309]
馬力 HP (*4P)	24 [200]	32 [280]	38 [300]	50 [301]	55 [303]	60 [305]	80 [307]	90 [309]	24 [200]	32 [280]	38 [300]	50 [301]	55 [303]	60 [305]	80 [307]	90 [309]
1/4,1/2	407	470	586	618	701	*	*	*	437	503	618	650	734	794	1011	*
1,2	412	470	586	618	701	763	979	1084	442	503	618	650	734	794	1011	1137
3,5	*	475	591	623	706	768	984	1089	*	508	623	655	739	799	1016	1142
7.5,10	*	*	*	*	*	778	994	1099	*	*	*	*	*	*	*	1152
15,20	*	*	*	*	*	807	1023	1128	*	*	*	*	*	*	*	*
25,30	*	*	*	*	*	*	*	*	*	*	*	*	*	*	*	*

行星式減速機安裝伺服馬達尺寸圖

Planetary Gear Reducer connect with Servo Motor dimension



尺寸表 DIMENSION *in millimeter

適用型號 Applicable Model	代碼 Code	PA	PB	PC	ØPK	L	ØS	W	T
24 [200]	24-A14	60	70	50	5.5	30	14	5	5
	24-B14	80	90	70	6.6	30	14	5	5
	24-B19	80	90	70	6.6	40	19	5	5
32 [280]	32-A14	60	70	50	5.5	30	14	5	5
	32-B14	80	90	70	6.6	30	14	5	5
	32-B19	80	90	70	6.6	40	19	5	5
	32-C14	90	100	80	6.6	37	14	5	5
	32-C16	90	100	80	6.6	40	16	5	5
	32-D19	130	145	110	9	45	19	5	5
	32-D22	130	145	110	9	55	22	6	6
38(H) [300(H)]	38-A35	178	200	114.3	13.5	79	35	10	8
	38-A42	178	200	114.3	13.5	113	42	12	8
50(H) [301(H)]	50-A35	178	200	114.3	13.5	79	35	10	8
	50-A42	178	200	114.3	13.5	113	42	12	8

註：本表所列尺寸為客戶經常性使用規格，其它特殊規格可另行指定承製，如安裝法蘭、特殊軸承、軸長及鍵槽等。
歡迎與本公司相關業務人員洽詢相關事宜。

Note : The dimensions listed in the table are the commonly used specifications by customers. For other servo flange , can be made for costumers. Please quote from LI XIANG SALES to get more details.