

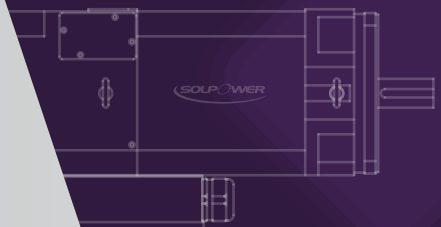
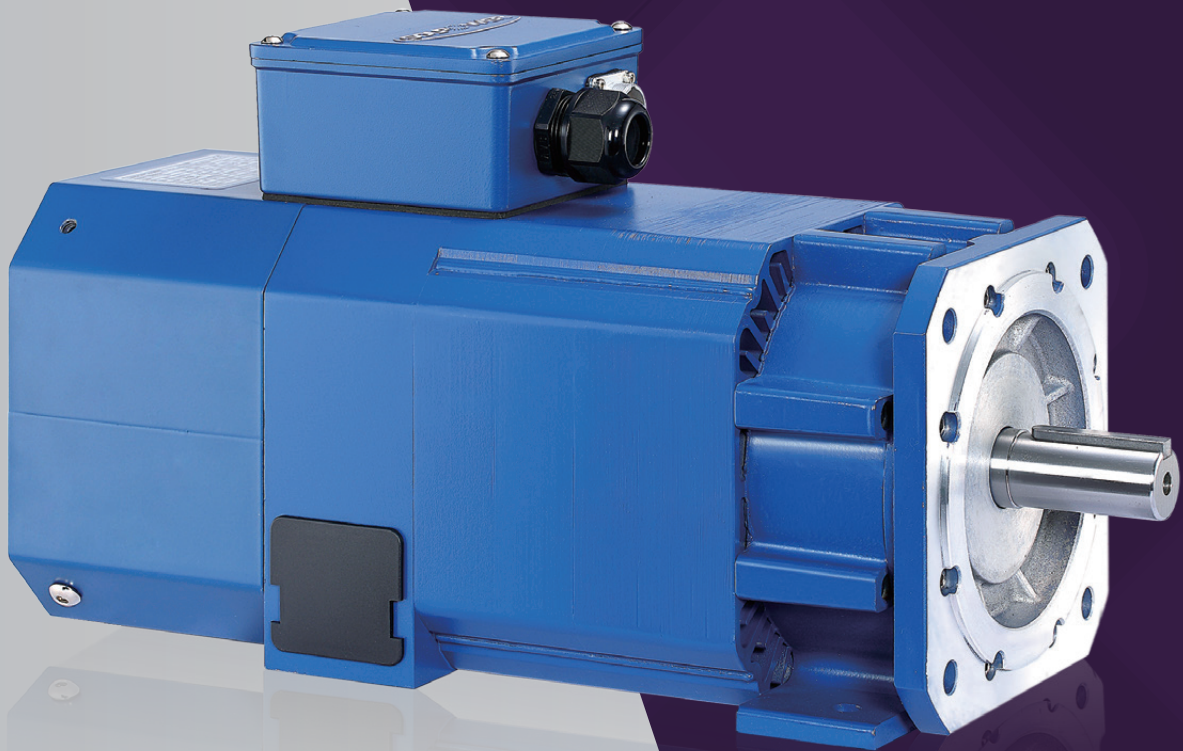


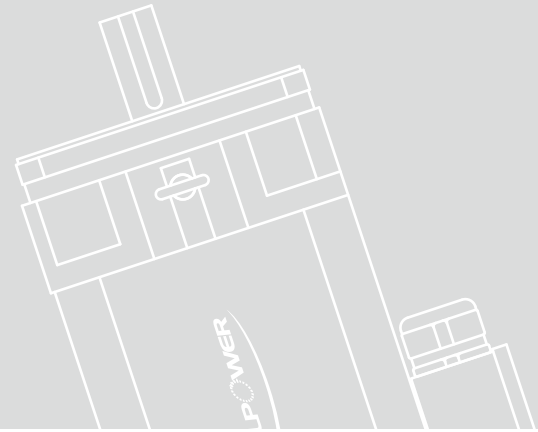
CHENG CHANG MACHINE  
ELECTRONIC CORP.

# SVM

SOL-POWER-ASYNCHRONOUS-SERVO MOTOR

SOL-POWER-SPINDLE MOTOR(IP54)





## 經營理念

### 品質

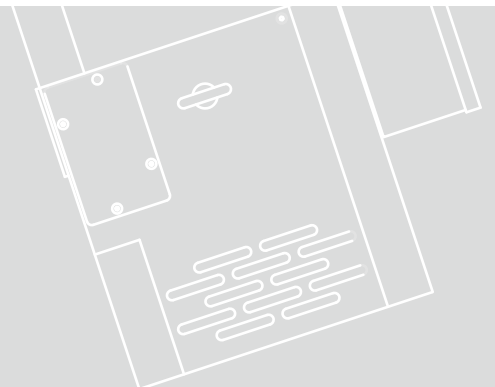
提供優良的高階伺服馬達、高精密檢測設備及嚴謹的 SOP 控管生產流程，致力高效率、高品質及低售服率為訴求，是晟昌機電不斷進步的動力

### 服務

提供完善的服務網路及滿足客戶的標準化及客制化馬達需求，以誠信作為服務基礎，積極開拓國際版圖

### 創新

以札實的技术核心，垂直整合研發及技術製程，因應市場的變動，提供卓越的產品提升產業附加價值，與客戶共創雙贏





## MANAGEMENT PHILOSOPHY

### Quality

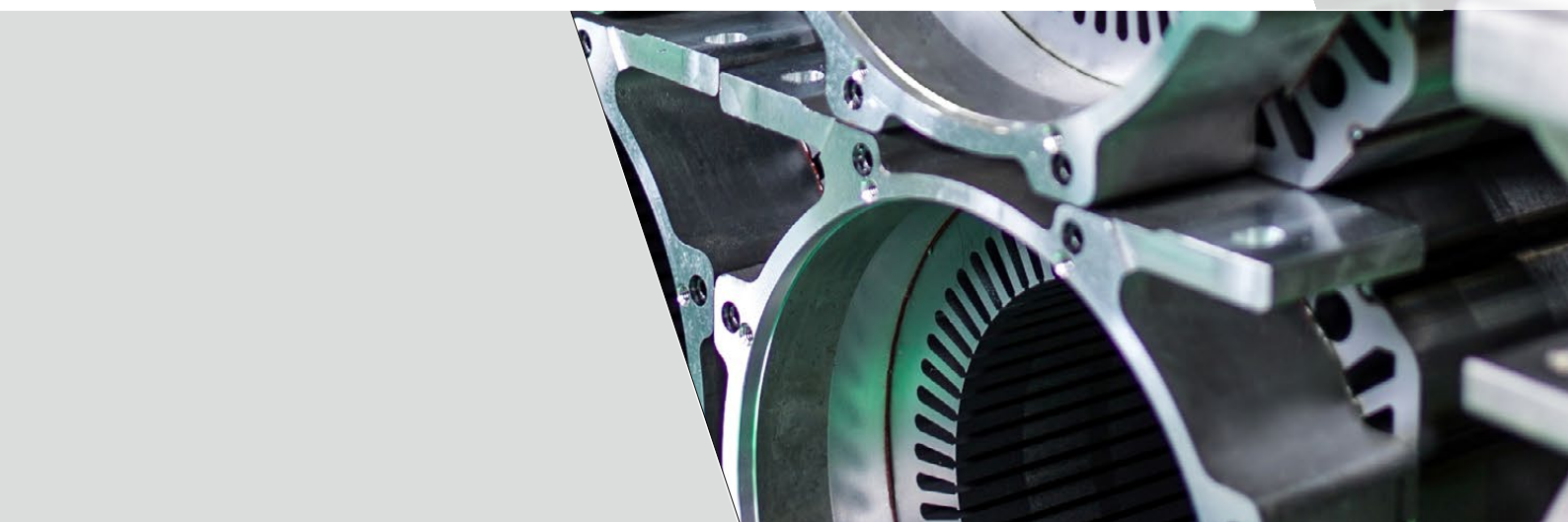
For providing excellent high-class servo motors, high precise detecting instrument and strict SOP to control product process, we strive for offering high efficiency, quality and low after-care service rate so that we have motivation for continuous improvement.

### Service

Based on the concept of credibility, we provide complete service network and satisfy standard and customized necessities from customers to expand international market.

### Innovation

In order to create mutual beneficial solution between customers and us, we have steady technical core, vertical integrate research, development and technical process for providing outstanding products to upgrade industrial additional value.

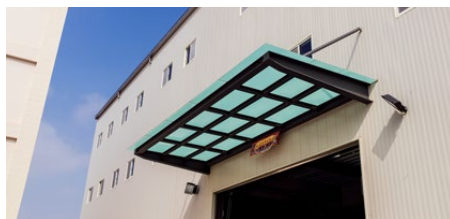




## 公司簡介

晟昌機電股份有限公司成立於 1995 年，成立初鑑於台灣工具機出口值在世界排名第四、第五，卻沒有自己的主軸馬達控制器。關鍵性零性需仰賴進口，整體而言相當可惜，當初即整合國內外優質的控制器與驅動器，研發各式產業機械專用馬達，涵蓋感應伺服馬達、同步伺服馬達、線性馬達、DD 馬達及內藏式定轉子，由於產品特性與品質媲美，歐、美、日本主軸馬達，在國內外廣為工具機及控制器大廠所使用，並外銷世界三十餘國家（中、德、日、義、美、瑞士、韓國、波蘭、印度等）受到國內、外客戶的讚賞。

晟昌機電創業至今，不斷提升產品精度與穩定性，滿足各種市場及客戶需求，積極研發符合趨勢的新產品，開拓國際市場，多年來始終堅持著“品質、服務、創新”的經營理念，以創新技術與穩定的產品品質，在此基礎上，展望未來，持續投入研發，與合作夥伴共同努力、共同成本為傳動業創造出更璀璨的未來。

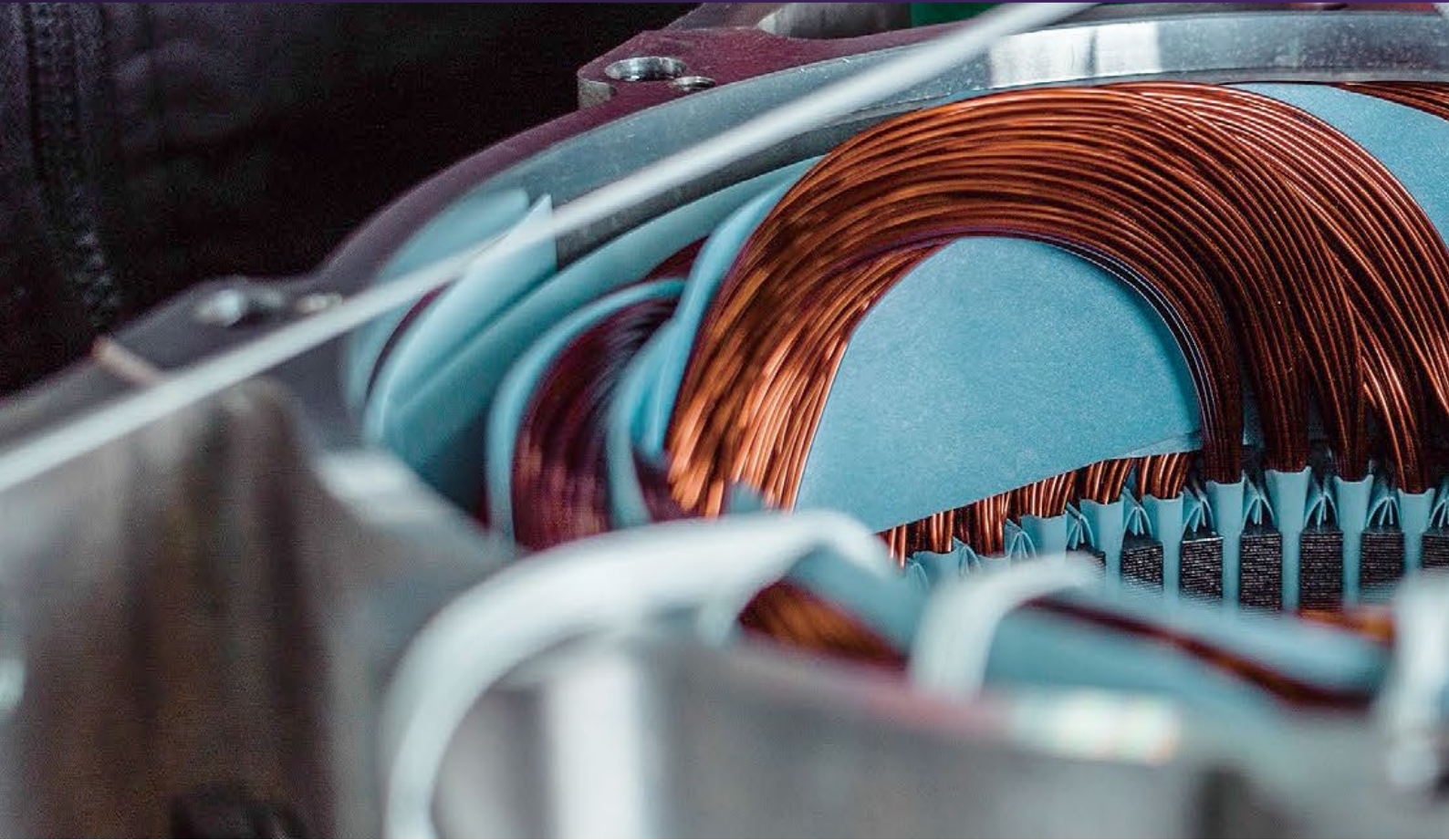




## **MANAGEMENT PHILOSOPHY**

CHENG CHANG MACHINE ELECTRONIC CORP. was founded in 1995. In consideration of world ranking of Taiwan tool machine export, the Fourth and Fifth place, it was a pity that Taiwan tool machinery companies have no their own spindle motor controllers and the key components need to be imported. CHENG CHANG initially integrated high quality controllers and drivers and developed spindle motors including induction servo motors, synchronous servo motors, linear motors, DD motors and buildin stator and rotor specifically for general industrial machine. Owing to the outstanding product characteristics and quality, which is compared favorably with spindle motors made in Europe, America, and Japan to gain very good feedback from customers, our motors export to thirty nations including China, Germany, Japan, Italy, U.S.A., Switzerland, Korea, Poland, India in the world.

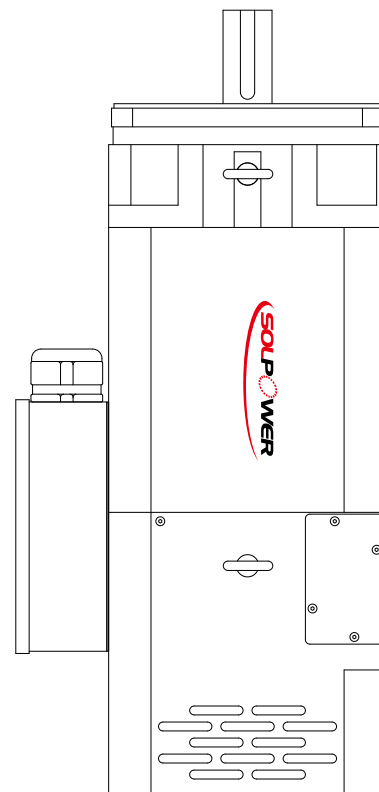
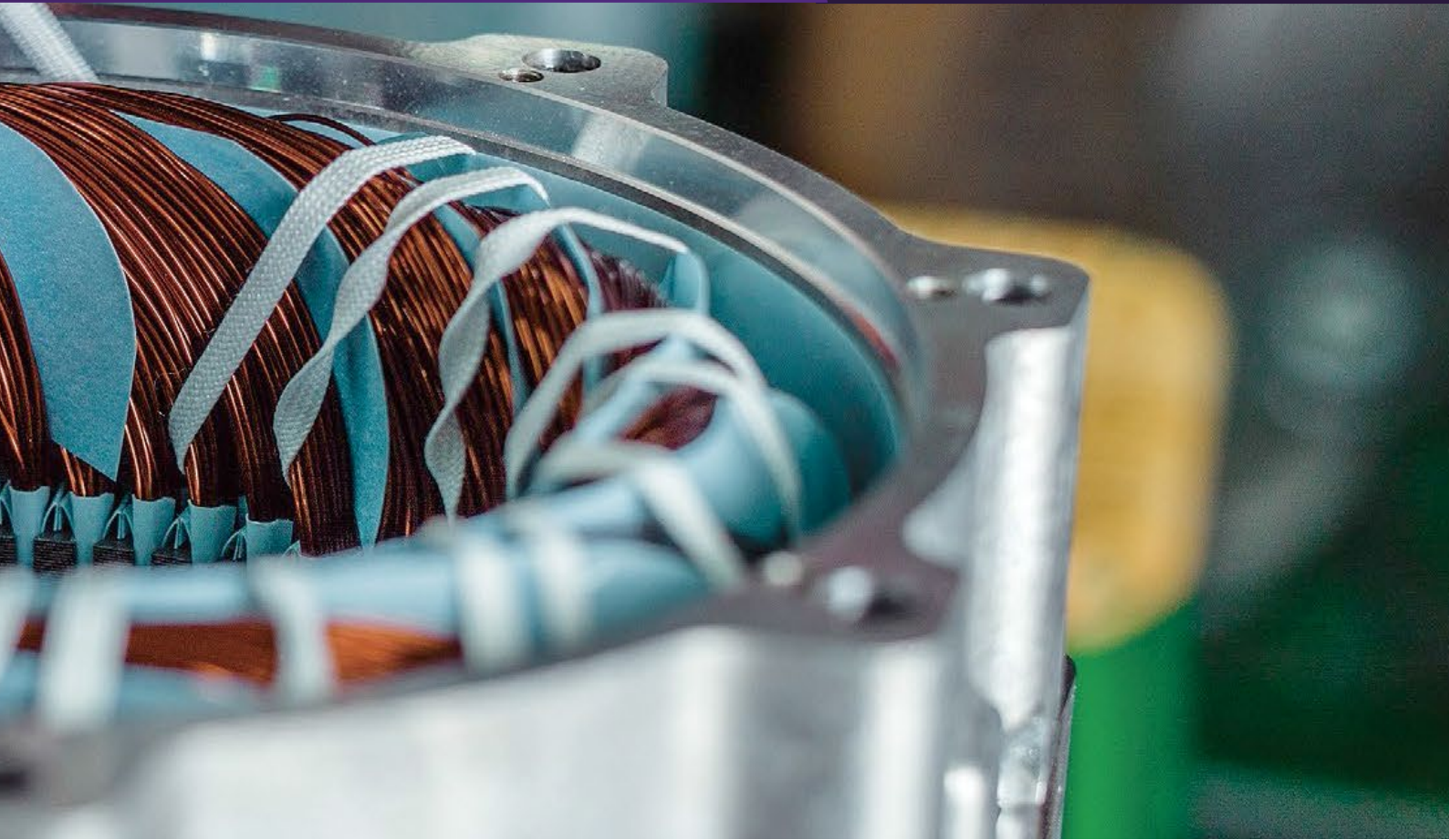
Since establishment, Cheng Chang Machine Electronic Corp. continually promote precision and stability of products to research and develop new products in the trend to expend international market for meeting a variety of markets and customers' necessary. We have insisted on the business management ideas, "quality, service, and innovation", for many years to improve technology and steady quality of products. In the future, we will keep putting in more efforts in research and development to create a resplendent future for transmission industry and to achieve the mission of Energy Efficiency and Carbon Reduction.



- A. 基底頻率以上，高速運轉維持定馬力輸出，有廣域的定功率輸出特性
- B. 基底頻率以下，低速運轉時保持相當平穩線性的磁場，以維持定轉矩輸出
- C. 特殊繞線設計及絕緣等級，使驅動器做載波伺服控制時不會破壞線圈絕緣
- D. 使用高階矽鋼片，馬達在使用範圍內，維持著線性控制的優良伺服特性
- E. 特殊磁路設計與磁場分析，馬達在使用範圍內不會產生磁場飽和現象大大提高馬達的伺服特性及降低因突波電流對馬達及驅動器的損害
- F. 以先進精密技術為設計規範，伺服馬達有相當高的功率體積比
- G. 良好的轉動慣量設計，使馬達在鋼性攻牙時，能有高度的響應特性
- H. 精密定轉子槽形設計，馬達在定位控制時，快速平滑，不會因突波磁場而產生跳動情形，以上是變頻馬達所沒有的特性

經典的工藝 · 精銳的演出  
Classical process National elite performances

SOL-POWER-ASYNCHRONOUS-SERVO MOTOR  
SOL-POWER-SPINDLE MOTOR(IP54)





Asynchronous

### **SVM-75 SERIES**

Spindle motor with 4 poles  
Rated power output 1.5~3.7kw

1~2

Asynchronous

### **SVM-80SS SERIES**

Spindle motors with 4 poles  
Rated power output 0.4~3.7kw

3~4

Asynchronous

### **SVM-80,90 SERIES**

Spindle motors with 4 poles  
Rated power output 0.4~5.5kw

5~6

Asynchronous

### **SVM-100 SERIES**

Spindle motors with 4 poles  
Rated power output 3.75~15kw

7~8





Asynchronous

**SVM-132 SERIES**

Spindle motors with 4 poles  
Rated power output 11~37.5kw

9~10

---

Asynchronous

**SVM-160 SERIES**

Spindle motors with 4 poles  
Rated power output 30~62kw

11~12

---

Asynchronous

**SVM-180 SERIES**

Spindle motors with 4 poles  
Rated power output 37.5~110kw

13~14

---

Asynchronous

**SVM-225 SERIES**

Spindle motors with 4 poles  
Rated power output 74~180kw

15~16

# SVM

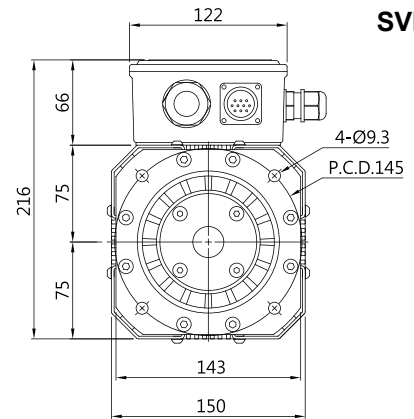
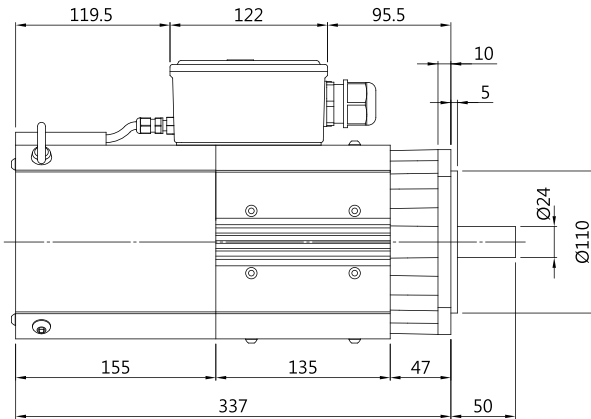


Motor	SVM-75S	SVM-75M	SVM-75L
Rated voltage $U_N$	160 / 280	160 / 280	160 / 280
Rated power output $P_N$	1.5kw	2.2kw	3.7kw
Rated speed $N_N$	3000rpm		
Rated torque $M_N$	4.7Nm	6.94Nm	11.6Nm
Rated current $I_N$	8.4 / 4.8	12.4 / 7.1	20.8 / 12
Efficiency	0.83		
Max speed $N_{max}$ Standard bearing	24000rpm		
Max current $I_{max}$	24.6 / 14.2A	41.6 / 24A	61.8 / 35.6A
Weight	17kg	20kg	25kg
Rated inertia $J$	20kgcm <sup>2</sup>	30kgcm <sup>2</sup>	42.5kgcm <sup>2</sup>
Protection	IP54		
Fan Rated voltage $U_L$ Frequency $f_L$	1Ø220V 50HZ/60HZ		

Motor	Rated speed	Rated power in duty type in accordance		Rated torque	Rated current for duty type		Rated power for duty type		Moment of inertia	Weight
	$M_{rated}$	M2			$I_{rated}$ (160/280v)				J	W
TYPE	rpm	rpm	rpm		A	A				
SVM-75S-30	3000	18000	18000	4.7	8.4/4.8	12.3/7.1	1.5	2.2	0.002	17
SVM-75M-30	3000	18000	18000	6.94	12.4/7.1	20.8/12	2.2	3.7	0.003	20
SVM-75L-30	3000	18000	18000	11.6	20.8/12	30.9/17.8	3.7	5.5	0.0042	25

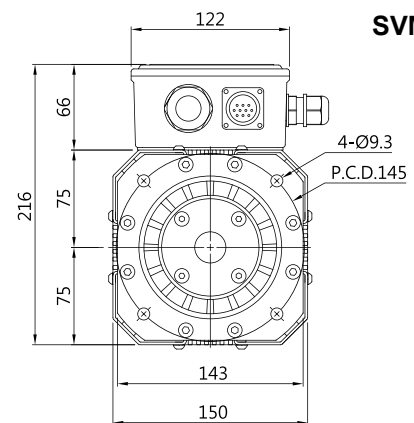
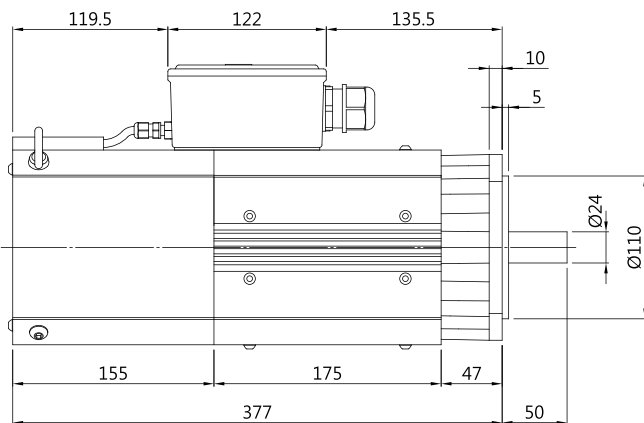
※ 註：本公司保留針對規格設計的修改權利，如有變更恕不另通知。

The company reserves the right to modify the specifications/design, subject to change without further notice.



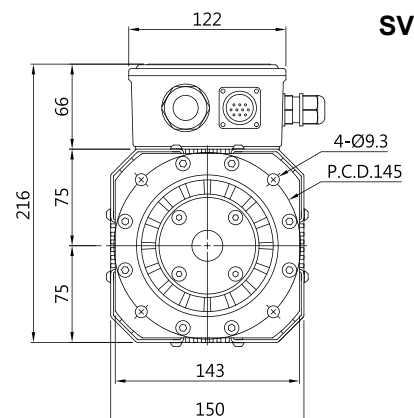
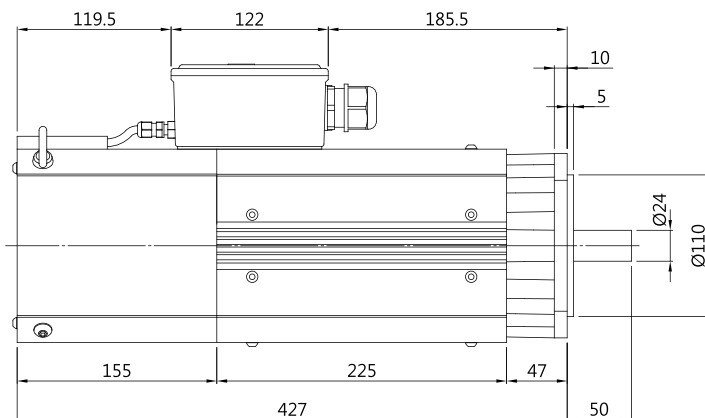
**SVM-75S**

軸心公差:  $\pm 0.005$



**SVM-75M**

軸心公差:  $\pm 0.005$



**SVM-75L**

軸心公差:  $\pm 0.005$

# SVM

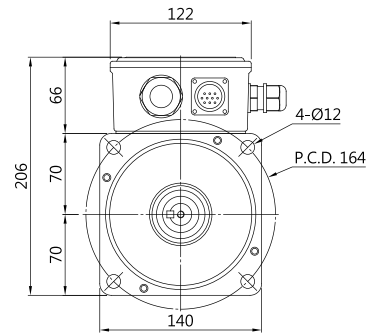
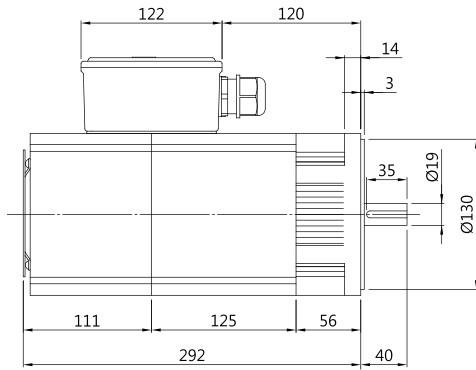


Motor	SVM-80SS	SVM-90SS	SVM-90MS
Rated voltage $U_N$	220 / 380	220 / 380	220 / 380
Rated power output $P_N$	0.75kw	1.5kw	2.2kw
Rated speed $N_N$	1500rpm		
Rated torque $M_N$	4.7Nm	9.4Nm	13.8Nm
Rated current $I_N$	3.3/1.9	6.6/3.8	9.7/5.6
Efficiency	0.85		
Max speed $N_{max}$ Standard bearing	8000rpm		
Max current $I_{max}$	6/3.46A	11/6.35A	15.33/8.8A
Weight	13.56kg	17.30kg	20.50kg
Rated inertia $J$	26.62kgcm <sup>2</sup>	32.94kgcm <sup>2</sup>	45.27kgcm <sup>2</sup>
Protection	IP54		
Fan Rated voltage UL Frequency fL	1Ø220V 50HZ/60HZ		

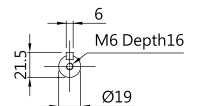
Motor	Rated speed	Rated power in duty type in accordance		Rated torque	Rated current for duty type		Rated power for duty type		Moment of inertia	Weight
	$M_{rated}$	M2			$I_{rated}$ (220/380v)				J	W
		S1	S6~60%		S1	S6~60%				
TYPE	rpm	rpm	rpm	Nm	A	A	KW	KW	kgm <sup>2</sup>	kg
SVM-80SS-10	1000	4000	3500	3.8	1.76/1.02	2.43/1.4	0.4	0.55	0.0026	13.56
SVM-80SS-15	1500	6000	5000	4.7	3.31/1.92	4.28/2.48	0.75	0.97	0.0026	13.56
SVM-80SS-20	2000	7600	6600	7.1	6.62/3.83	8.6/4.98	1.5	1.95	0.0026	13.56
SVM-90SS-10	1000	4000	3500	7.1	3.31/1.92	4.28/2.48	0.75	0.97	0.0032	17.30
SVM-90SS-15	1500	6000	5000	9.4	6.62/3.83	8.6/4.98	1.5	1.95	0.0032	17.30
SVM-90SS-20	2000	7600	6600	10.4	9.7/5.62	12.61/7.3	2.2	2.86	0.0032	17.30
SVM-90MS-10	1000	4000	3500	14.2	6.62/3.83	8.6/4.98	1.5	1.95	0.0045	20.50
SVM-90MS-15	1500	6000	5000	13.8	9.7/5.62	12.61/7.3	2.2	2.86	0.0045	20.50
SVM-90MS-20	2000	7600	6600	17.5	16.32/9.45	21.17/12.26	3.7	4.8	0.0045	20.50

※ 註：本公司保留針對規格設計的修改權利，如有變更恕不另通知。

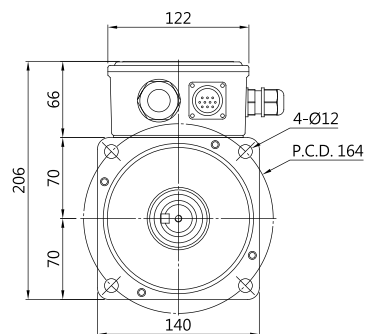
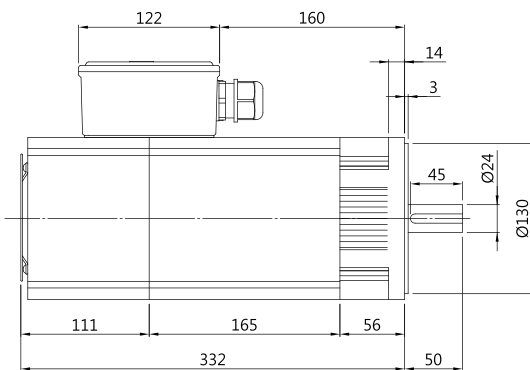
The company reserves the right to modify the specifications/design, subject to change without further notice.



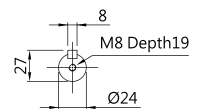
SVM-80SS



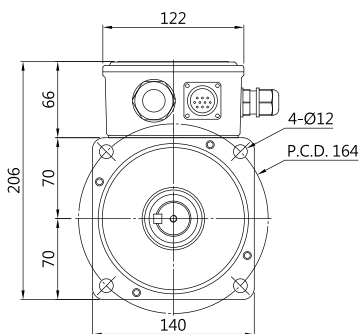
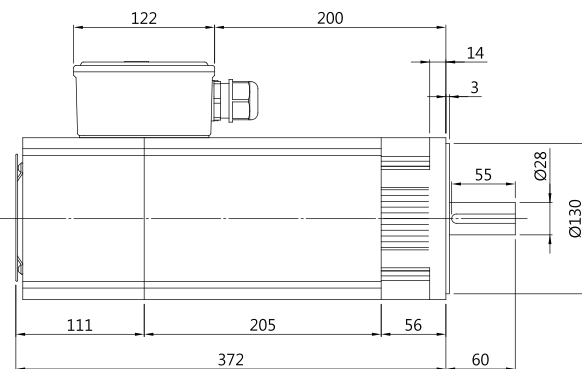
軸心公差:  $\pm 0.005$   
引導公差:  $+0$   
 $-0.04$



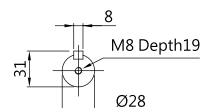
SVM-90SS



軸心公差:  $\pm 0.005$   
引導公差:  $+0$   
 $-0.04$



SVM-90MS



軸心公差:  $\pm 0.005$   
引導公差:  $+0$   
 $-0.04$

# SVM

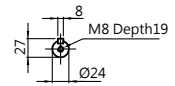
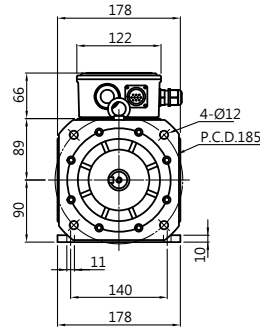
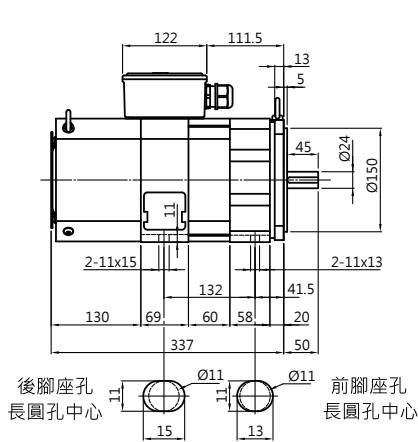


Motor	SVM-80S	SVM-90S	SVM-90M	SVM-90L
Rated voltage $U_N$	220 / 380	220 / 380	220 / 380	220 / 380
Rated power output $P_N$	0.75kw	1.5kw	2.2kw	3.7kw
Rated speed $N_N$	1500rpm			
Rated torque $M_N$	4.7 Nm	9.4Nm	13.8Nm	23.3Nm
Rated current $I_N$	3.28/1.89	6.5/3.7	9.6/5.5	16.1/9.2
Efficiency	0.85			
Max speed $N_{max}$ Standard bearing	8000rpm			
Max current $I_{max}$	6/3.46A	11/6.35A	15.33/8.8A	25/14.4A
Weight	23kg	26kg	30kg	38kg
Rated inertia $J$	60.46kgcm <sup>2</sup>	79.87kgcm <sup>2</sup>	98.82kgcm <sup>2</sup>	135.82kgcm <sup>2</sup>
Protection	IP54			
Fan Rated voltage $U_L$ Frequency $f_L$	1Ø220V 50HZ/60HZ			

Motor	Rated speed	Rated power in duty type in accordance		Rated torque	Rated current for duty type		Rated power for duty type		Moment of inertia	Weight
	$M_{rated}$	M2			$I_{rated}$ (220/380v)					
		S1	S6~60%		S1	S6~60%	S1	S6~60%	J	W
TYPE	rpm	rpm	rpm	Nm	A	A	KW	KW	kgm <sup>2</sup>	kg
SVM-80S-10	1000	4000	3500	3.8	1.76/1.02	2.43/1.4	0.4	0.55	0.0060	23
SVM-80S-15	1500	6000	5000	4.7	3.28/1.89	4.24/2.44	0.75	0.97	0.0060	23
SVM-80S-20	2000	7600	6600	7.1	6.5/3.7	8.5/4.9	1.5	1.95	0.0060	23
SVM-90S-10	1000	4000	3500	7.1	3.2/1.8	4.2/2.4	0.75	0.97	0.0079	26
SVM-90S-15	1500	6000	5000	9.4	6.5/3.7	8.5/4.9	1.5	1.95	0.0079	26
SVM-90S-20	2000	7600	6600	10.4	9.6/5.5	12.5/7.2	2.2	2.86	0.0079	26
SVM-90M-10	1000	4000	3500	14.2	6.5/3.7	8.5/4.9	1.5	1.95	0.0098	30
SVM-90M-15	1500	6000	5000	13.8	9.6/5.5	12.5/7.2	2.2	2.86	0.0098	30
SVM-90M-20	2000	7600	6600	17.5	16.1/9.2	20.9/12	3.7	4.8	0.0098	30
SVM-90L-10	1000	4000	3500	20.8	9.6/5.5	12.5/7.2	2.2	2.86	0.0135	38
SVM-90L-15	1500	6000	5000	23.3	16.1/9.2	20.9/12	3.7	4.8	0.0135	38
SVM-90L-20	2000	7600	5500	26.03	20.3/11.72	31.2/18	5.5	7.15	0.0135	38

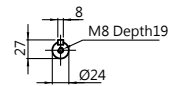
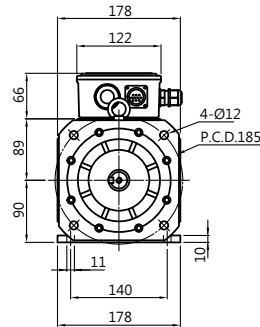
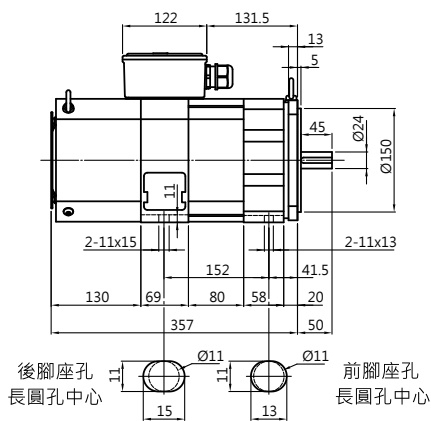
※ 註：本公司保留針對規格設計的修改權利，如有變更恕不另通知。

The company reserves the right to modify the specifications/design, subject to change without further notice.



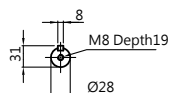
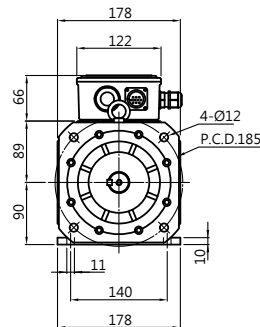
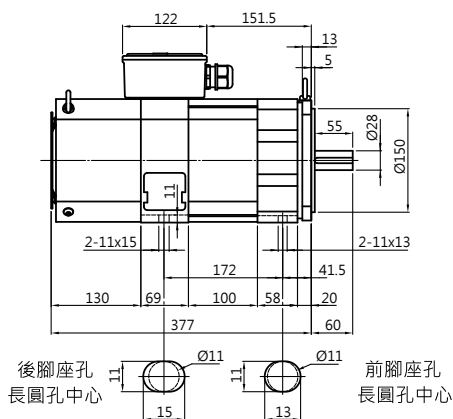
軸心公差:  $\pm 0.005$   
引導公差:  $+0$   
 $-0.04$

SVM-80S



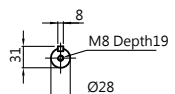
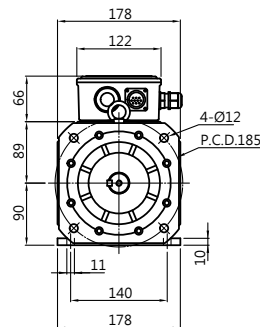
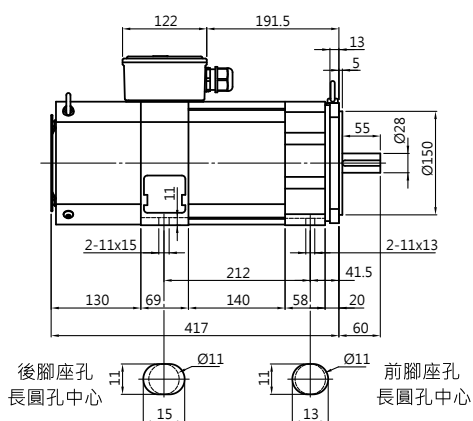
軸心公差:  $\pm 0.005$   
引導公差:  $+0$   
 $-0.04$

SVM-90S



軸心公差:  $\pm 0.005$   
引導公差:  $+0$   
 $-0.04$

SVM-90M



軸心公差:  $\pm 0.005$   
引導公差:  $+0$   
 $-0.04$

SVM-90L

# SVM



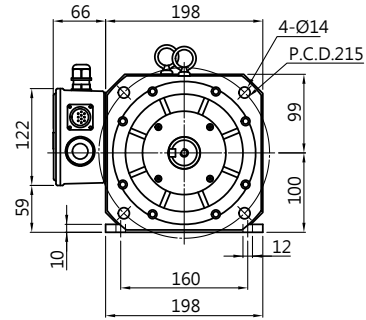
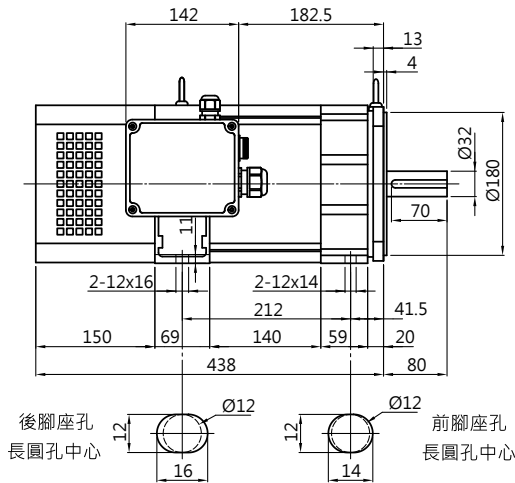
Motor	SVM-100S	SVM-100M	SVM-100L
Rated voltage $U_N$	220 / 380	220 / 380	220 / 380
Rated power output $P_N$	5.5kw	7.5kw	11kw
Rated speed $N_N$	1500rpm		
Rated torque $M_N$	35Nm	47Nm	69.4Nm
Rated current $I_N$	20.3/11.72	27.7/15.9	40/23.4
Efficiency	0.85		
Max speed $N_{max}$ Standard bearing	8000rpm		
Max current $I_{max}$	33/19.0A	36/20.78A	44/25.4A
Weight	51kg	68kg	83kg
Rated inertia $J$	245kgcm <sup>2</sup>	353kgcm <sup>2</sup>	405kgcm <sup>2</sup>
Protection	IP54		
Fan Rated voltage $U_L$ Frequency $f_L$	1Ø220V 50HZ/60HZ		

Motor	Rated speed	Rated power in duty type in accordance		Rated torque	Rated current for duty type		Rated power for duty type		Moment of inertia	Weight
	M <sub>rated</sub>	M2			I <sub>rated</sub> (220/380v)				J	W
		S1	S6~60%		S1	S6~60%	S1	S6~60%		
TYPE	rpm	rpm	rpm	Nm	A	A	KW	KW	kgm <sup>2</sup>	kg
SVM-100S-10	1000	5000	4800	35.5	13.86/8	17.7/10.2	3.75	4.8	0.0245	51
SVM-100S-15	1500	7500	7200	35	20.3/11.72	25.87/14.9	5.5	7	0.0245	51
SVM-100S-20	2000	8000	7680	35.5	27.7/15.9	35.8/20.6	7.5	9.7	0.0245	51
SVM-100M-10	1000	5000	4800	52	20.3/11.7	26.2/15.1	5.5	7.1	0.0353	68
SVM-100M-15	1500	7500	7200	47	27.7/15.9	36.2/20.9	7.5	9.8	0.0353	68
SVM-100M-20	2000	8000	7680	52.06	40/23.4	52.6/30.4	11	14.3	0.0353	68
SVM-100L-10	1000	5000	4800	71	27.6/15.9	35.7/20.6	7.5	9.7	0.0405	83
SVM-100L-15	1500	7500	7200	69.4	40.4/23.4	51.4/29.8	11	14	0.0405	83
SVM-100L-20	2000	8000	7680	71	55.1/31.9	66.2/38.3	15	18	0.0405	83

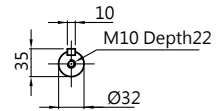
※ 註：本公司保留針對規格設計的修改權利，如有變更恕不另通知。

The company reserves the right to modify the specifications/design, subject to change without further notice.

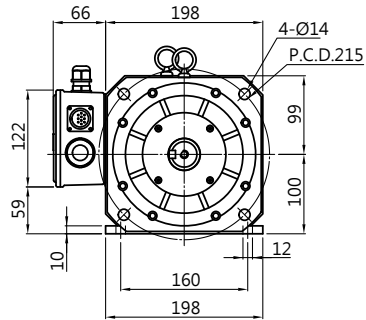
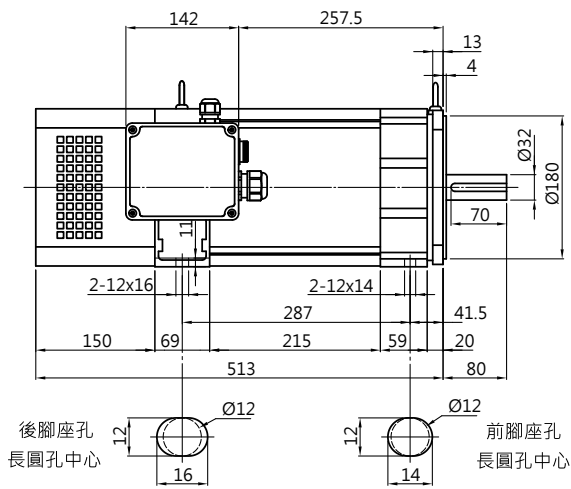




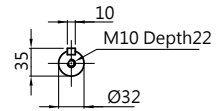
SVM-100S



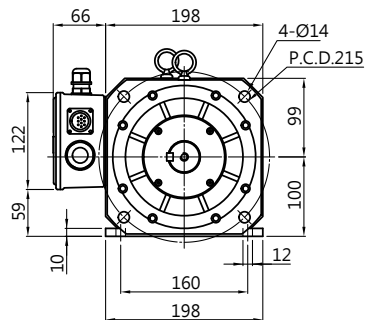
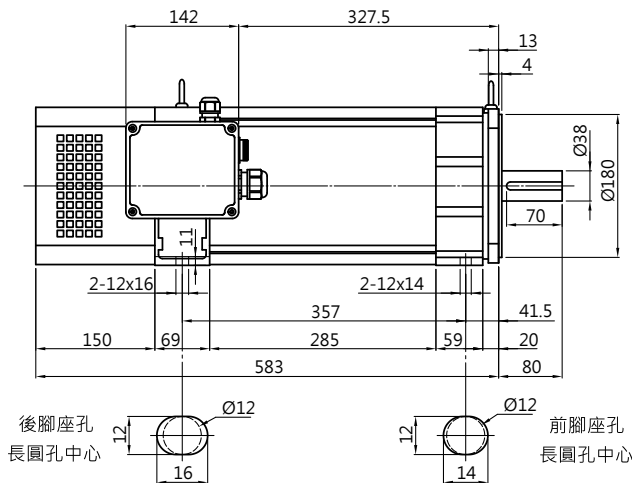
軸心公差:  $\pm 0.005$   
引導公差:  $+0$   
 $-0.04$



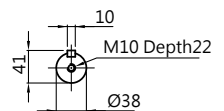
SVM-100M



軸心公差:  $\pm 0.005$   
 $+0$   
 $-0.04$



SVM-100L



軸心公差:  $\pm 0.005$   
引導公差:  $+0$   
 $-0.04$

# SVM

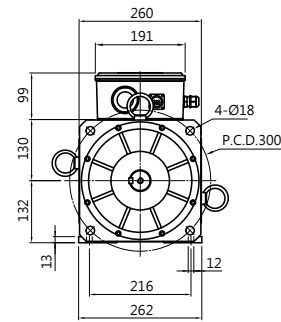
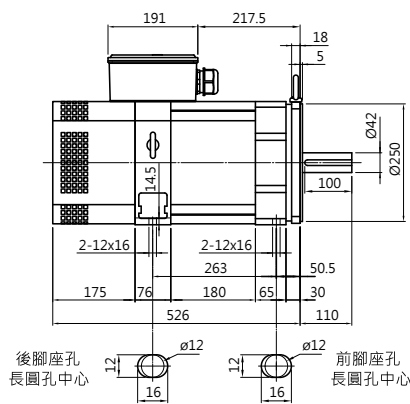


Motor	SVM-132S	SVM-132M	SVM-132L	SVM-132X
Rated voltage $U_N$	220 / 380	220 / 380	220 / 380	220 / 380
Rated power output $P_N$	15kw	18.5kw	22kw	30kw
Rated speed $N_N$	1500rpm			
Rated torque $M_N$	94.66 Nm	116.7 Nm	138.84 Nm	189.33 Nm
Rated current $I_N$	50.3/29.12	62/35.9	74/42.7	101/58.3
Efficiency	0.86			
Max speed $N_{max}$ Standard bearing	6000rpm			4500rpm
Max current $I_{max}$	90/52A	109.4/63.1A	129.4/74.1A	176/101A
Weight	105kg	120kg	152kg	178kg
Rated inertia $J$	650kgcm <sup>2</sup>	770kgcm <sup>2</sup>	1010kgcm <sup>2</sup>	1200kgcm <sup>2</sup>
Protection	IP54			
Fan Rated voltage $U_L$ Frequency $f_L$	1Ø220V 50HZ/60HZ			

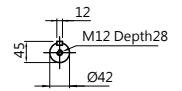
Motor	Rated speed	Rated power in duty type in accordance		Rated torque	Rated current for duty type		Rated power for duty type		Moment of inertia	Weight
	$M_{rated}$	M2			$I_{rated}$ (220/380v)				J	W
		S1	S6-60%		S1	S6-60%				
TYPE	rpm	rpm	rpm	Nm	A	A	KW	KW	kgm <sup>2</sup>	kg
SVM-132S-10	1000	4000	4000	104.13	37/21.36	50.08/28.9	11	15	0.065	105
SVM-132S-15	1500	6000	6000	94.66	50.30/29.12	62/35.9	15	18.5	0.065	105
SVM-132S-20	2000	6000	6000	87.56	62/35.9	74/42.7	18.5	22	0.065	105
SVM-132M-10	1000	4000	4000	142.00	50.30/29.12	62/35.9	15	18.5	0.077	120
SVM-132M-15	1500	6000	6000	116.70	62/35.9	74/42.7	18.5	22	0.077	120
SVM-132M-20	2000	6000	6000	104.13	74/42.7	101/58.3	22	30	0.077	120
SVM-132L-10	1000	4000	4000	175.10	62/35.9	74/42.7	18.5	22	0.101	152
SVM-132L-15	1500	6000	6000	138.80	74/42.7	101/58.3	22	30	0.101	152
SVM-132L-20	2000	6000	6000	142.00	101/58.3	126/72.8	30	37.5	0.101	152
SVM-132X-10	1000	4000	4000	208.26	74/42.7	101/58.3	22	30	0.126	178
SVM-132X-15	1500	4500	4500	189.33	101/58.3	126/72.8	30	37.5	0.126	178
SVM-132X-20	2000	4500	4500	177.50	126/72.8	151.4/87.4	37.5	45	0.126	178

※ 註：本公司保留針對規格設計的修改權利，如有變更恕不另通知。

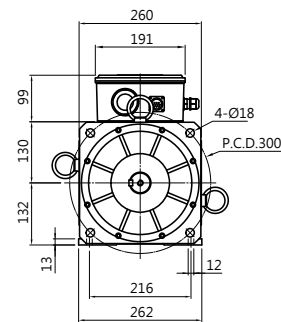
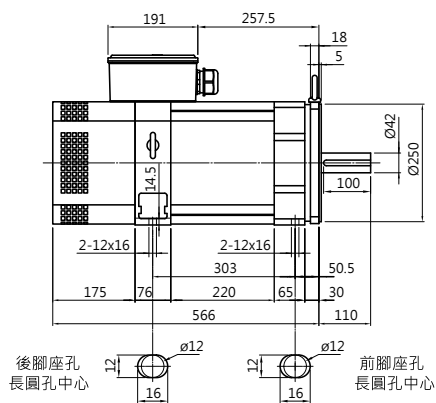
The company reserves the right to modify the specifications/design, subject to change without further notice.



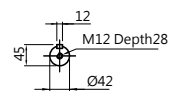
SVM-132S



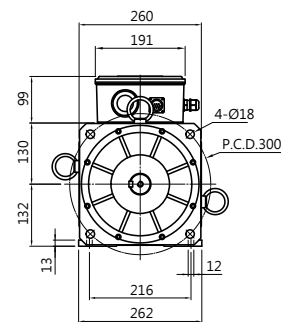
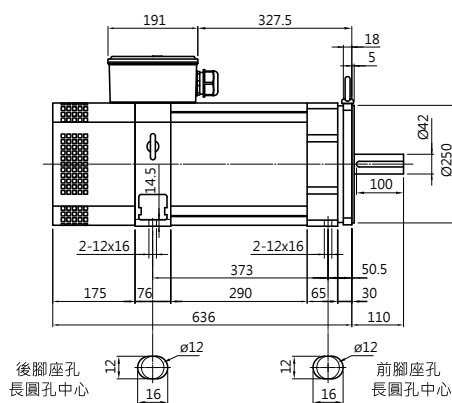
軸心公差:  $\pm 0.005$   
引導公差:  $+0$   
 $-0.04$



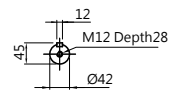
SVM-132M



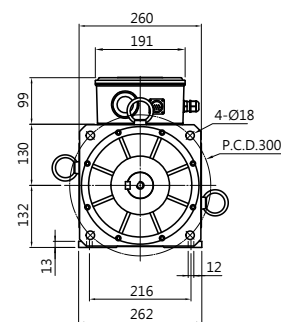
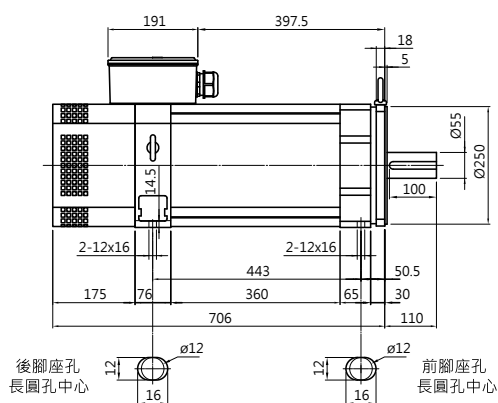
軸心公差:  $\pm 0.005$   
引導公差:  $+0$   
 $-0.04$



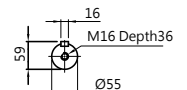
SVM-132L



軸心公差:  $\pm 0.005$   
引導公差:  $+0$   
 $-0.04$



SVM-132X



軸心公差:  $\pm 0.005$   
引導公差:  $+0$   
 $-0.04$

# SVM

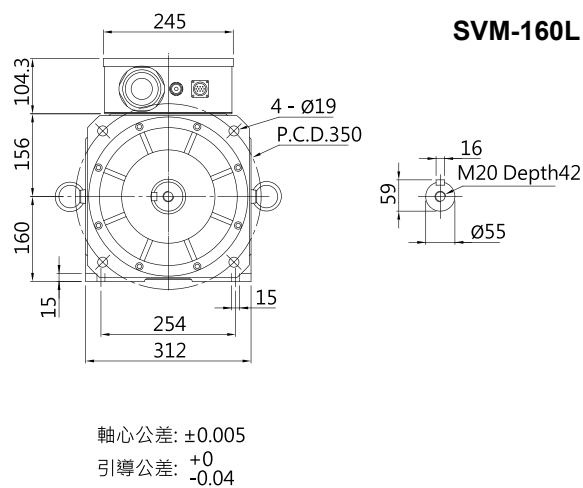
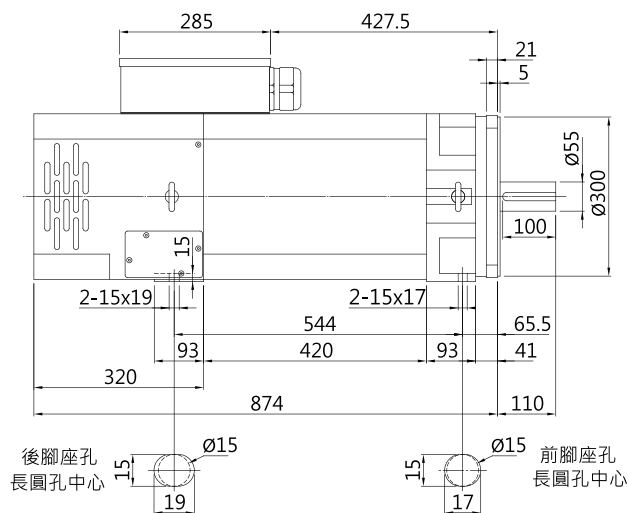
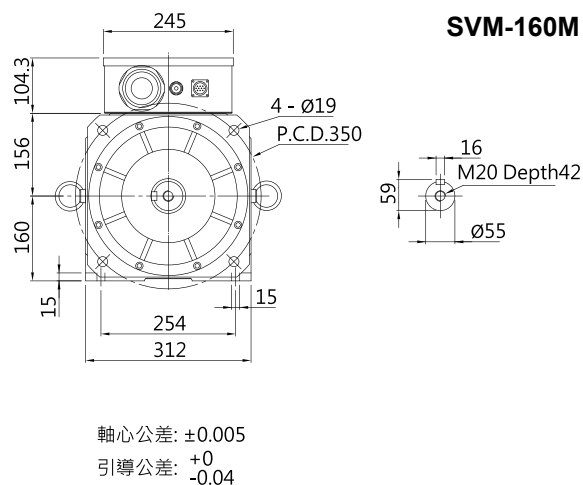
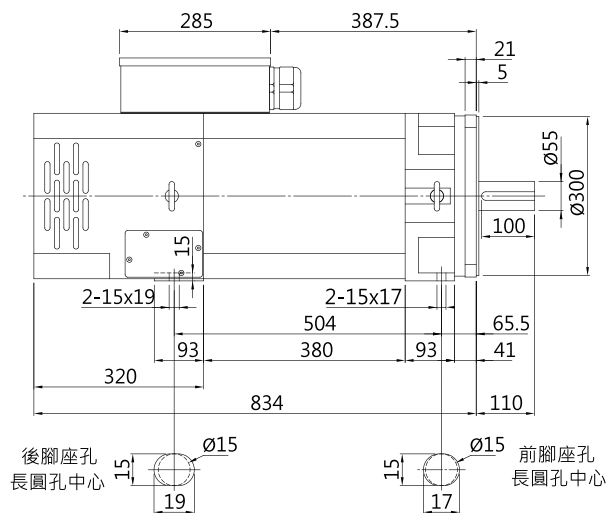
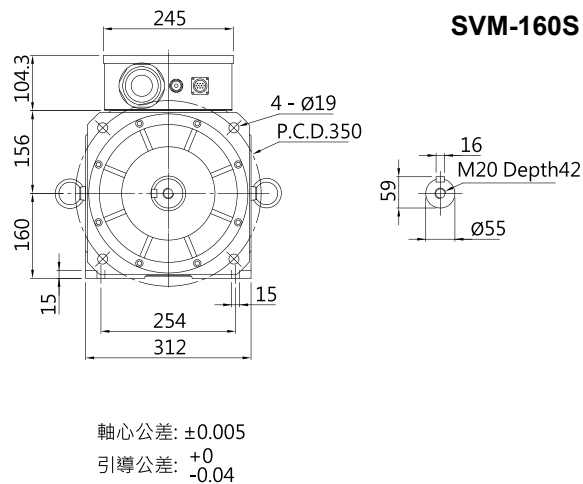
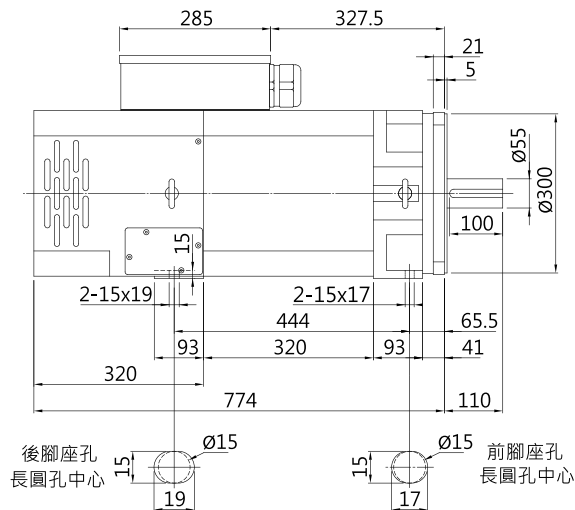


Motor	SVM-160S	SVM-160M	SVM-160L
Rated voltage $U_N$	220 / 380	220 / 380	220 / 380
Rated power output $P_N$	37.5kw	45kw	50kw
Rated speed $N_N$	1500rpm		
Rated torque $M_N$	236.67Nm	284Nm	315.5Nm
Rated current $I_N$	128.8/74.6	154.6/89.5	171.8/99.5
Efficiency	0.92		
Max speed $N_{max}$ Standard bearing	4000rpm		
Max current $I_{max}$	191.5/110.5A	233.1/134.55A	252.1/144A
Weight	240kg	265kg	282kg
Rated inertia $J$	1860kgcm <sup>2</sup>	2300kgcm <sup>2</sup>	2560kgcm <sup>2</sup>
Protection	IP54		
Fan Rated voltage UL Frequency fL	1Ø220V 50HZ/60HZ		

Motor	Rated speed	Rated power in duty type in accordance		Rated torque	Rated current for duty type		Rated power for duty type		Moment of inertia	Weight
	$M_{rated}$	M2			I <sub>rated</sub> (220/380v)				J	W
		S1	S6~60%		S1	S6~60%				
TYPE	rpm	rpm	rpm	Nm	A	A	KW	KW	kgm <sup>2</sup>	kg
SVM-160S-10	1000	4000	4000	284	103.1/59.7	128.8/74.6	30	37.5	0.186	240
SVM-160S-15	1500	4000	4000	236.67	128.8/74.6	154.6/89.5	37.5	45	0.186	240
SVM-160S-20	2000	3500	3500	213	154.6/89.5	192.4/111.4	45	56	0.186	240
SVM-160M-10	1000	4000	4000	355	128.8/74.6	154.6/89.5	37.5	45	0.23	265
SVM-160M-15	1500	4000	4000	284	154.6/89.5	192.4/111.4	45	56	0.23	265
SVM-160M-20	2000	3500	3500	260.33	189/109.4	234/135.3	55	68	0.23	265
SVM-160L-10	1000	4000	4000	378.6	137.47/79.6	178.7/103.4	40	52	0.256	282
SVM-160L-15	1500	4000	4000	315.56	171.8/99.5	223.4/129.3	50	65	0.256	282
SVM-160L-20	2000	3200	2800	293.47	213.1/123.4	275/159.2	62	80	0.256	282

※ 註：本公司保留針對規格設計的修改權利，如有變更恕不另通知。

The company reserves the right to modify the specifications/design, subject to change without further notice.



# SVM

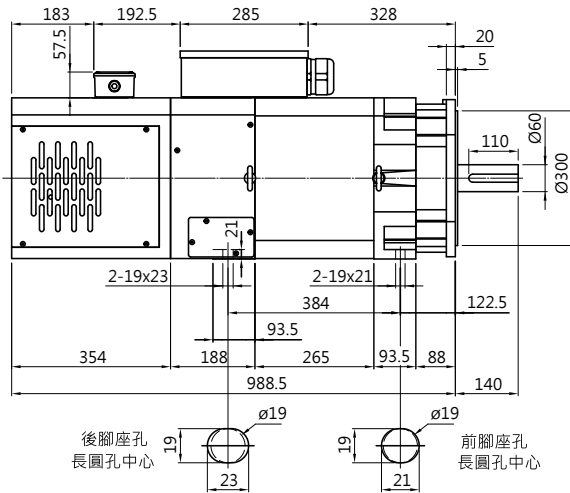


Motor	SVM-180S	SVM-180M	SVM-180L
Rated voltage $U_N$	220 / 380	220 / 380	220 / 380
Rated power output $P_N$	55kw	75kw	90kw
Rated speed $N_N$	1500rpm		
Rated torque $M_N$	347Nm	473.3Nm	568Nm
Rated current $I_N$	191.9/111.1	261.7/151.5	314/181.8
Efficiency	0.94		
Max speed $N_{max}$ Standard bearing	4000rpm		
Max current $I_{max}$	286.65/165.45A	390.9/225.6A	458.5/365A
Weight	370kg	440kg	500kg
Rated inertia $J$	5000kgcm <sup>2</sup>	6900kgcm <sup>2</sup>	7770kgcm <sup>2</sup>
Protection	IP54		
Fan Rated voltage Rated current Frequency	3Ø220V/380V 7/4A 50HZ/60HZ		

Motor	Rated speed	Rated power in duty type in accordance		Rated torque	Rated current for duty type		Rated power for duty type		Moment of inertia	Weight
	$M_{rated}$	M2			$I_{rated}$ (220/380v)				J	W
		S1	S6~60%		S1	S6~60%				
TYPE	rpm	rpm	rpm	Nm	A	A	KW	KW	kgm <sup>2</sup>	kg
SVM-180S-10	1000	4000	4000	355	130.9/75.8	169.9/98.4	37.5	48.7	0.5	370
SVM-180S-15	1500	4000	4000	347	191.9/111.1	254.7/147.4	55	73	0.5	370
SVM-180S-20	2000	4000	4000	355	261.7/151.5	340.2/197	75	97.5	0.5	370
SVM-180M-10	1000	4000	4000	520.6	191.9/111.1	254.7/147.4	55	73	0.69	440
SVM-180M-15	1500	4000	4000	473.34	261.7/151.5	340.2/197	75	97.5	0.69	440
SVM-180M-20	2000	4000	4000	473.34	348.9/202	453.7/262.7	100	130	0.69	440
SVM-180L-10	1000	4000	4000	615.3	226.8/131	290.3/168.1	65	83.2	0.777	500
SVM-180L-15	1500	4000	4000	568	314/181.8	408.3/236.4	90	117	0.777	500
SVM-180L-20	2000	4000	4000	520.6	383.8/222.3	479.8/277.8	110	137.5	0.777	500

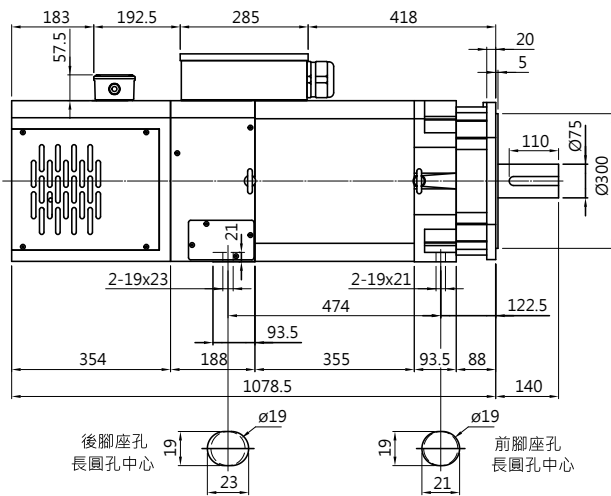
※ 註：本公司保留針對規格設計的修改權利，如有變更恕不另通知。

The company reserves the right to modify the specifications/design, subject to change without further notice.



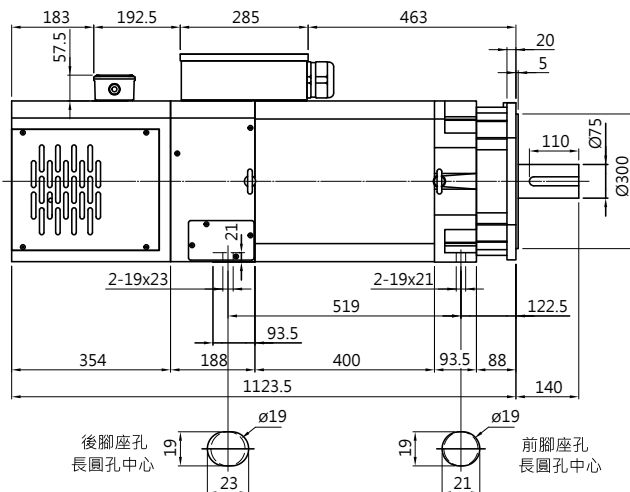
SVM-180S

軸心公差:  $\pm 0.005$   
引導公差:  $+0$   
 $-0.04$



SVM-180M

軸心公差:  $\pm 0.005$   
引導公差:  $+0$   
 $-0.04$



SVM-180L

軸心公差:  $\pm 0.005$   
引導公差:  $+0$   
 $-0.04$

# SVM



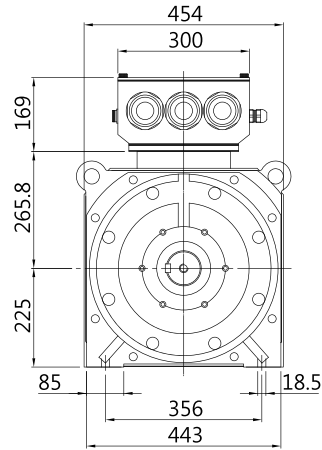
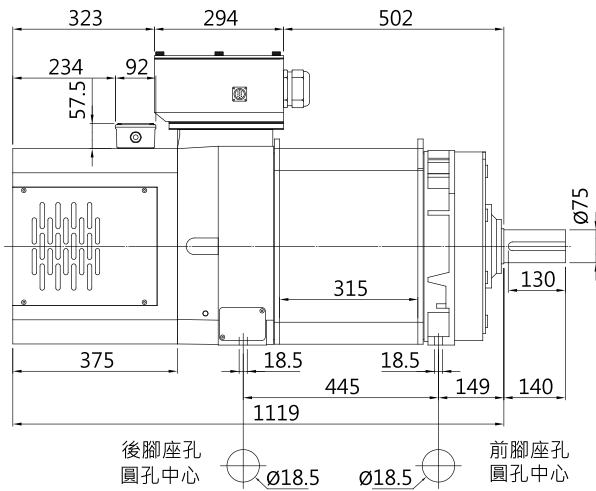
Motor	SVM-225S	SVM-225M	SVM-225L
Rated voltage $U_N$	220 / 380	220 / 380	220 / 380
Rated power output $P_N$	100kw	130kw	160kw
Rated speed $N_N$	1500rpm		
Rated torque $M_N$	631Nm	820Nm	1010Nm
Rated current $I_N$	328/189.6	426/246.6	524.2/303.4
Efficiency	0.9		
Max speed $N_{max}$ Standard bearing	4000rpm		
Max current $I_{max}$	512 / 296A	664 / 384A	819 / 473.6A
Weight	635kg	745kg	860kg
Rated inertia $J$	14790kgcm <sup>2</sup>	19300kgcm <sup>2</sup>	23260kgcm <sup>2</sup>
Protection	IP54		
Fan Rated voltage Rated current Frequency	3Ø220V/380V 7/4A 50HZ/60HZ		

Motor	Rated speed	Rated power in duty type in accordance		Rated torque	Rated current for duty type		Rated power for duty type		Moment of inertia	Weight
	$M_{rated}$	M2			$I_{rated}$ (220/380v)				J	W
TYPE	rpm	S1	S6~60%	Nm	A	A	KW	KW	kgm <sup>2</sup>	kg
SVM-225S-10	1000	4000	4000	700	242.5/140.4	288.3/166.9	74	88	1.479	635
SVM-225S-15	1500	4000	4000	631	328/189.6	412.8/239	100	126	1.479	635
SVM-225S-20	2000	4000	4000	568	393.1/227.6	491.5/284.5	120	150	1.479	635
SVM-225M-10	1000	4000	4000	908	314.5/182	393.1/227.6	96	120	1.930	745
SVM-225M-15	1500	4000	4000	820	426/246.6	534/309.2	130	163	1.930	745
SVM-225M-20	2000	4000	4000	795	550.4/318.7	688/398.3	168	210	1.930	745
SVM-225L-10	1000	4000	4000	1069	370.2/214.3	534/309.1	113	163	2.326	860
SVM-225L-15	1500	4000	4000	1010	524.2/303.4	655.2/379.3	160	200	2.326	860
SVM-225L-20	2000	4000	4000	852	589.7/341.4	740.54/428.7	180	226	2.326	860

※ 註：本公司保留針對規格設計的修改權利，如有變更恕不另通知。

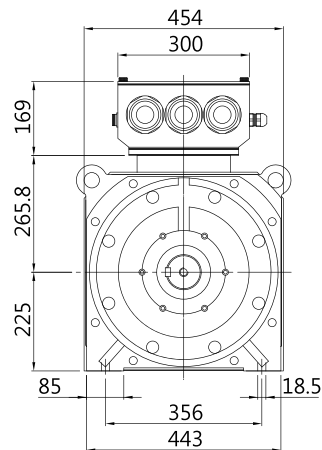
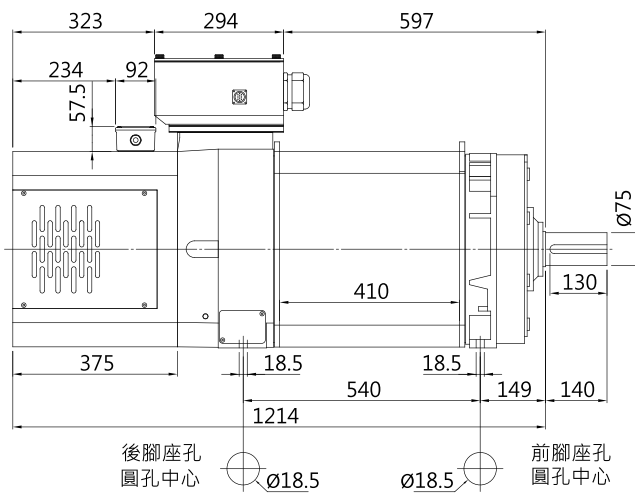
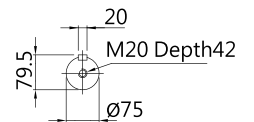
The company reserves the right to modify the specifications/design, subject to change without further notice.





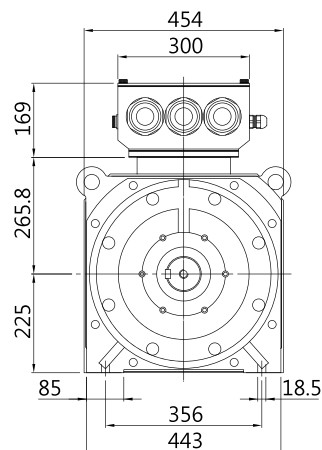
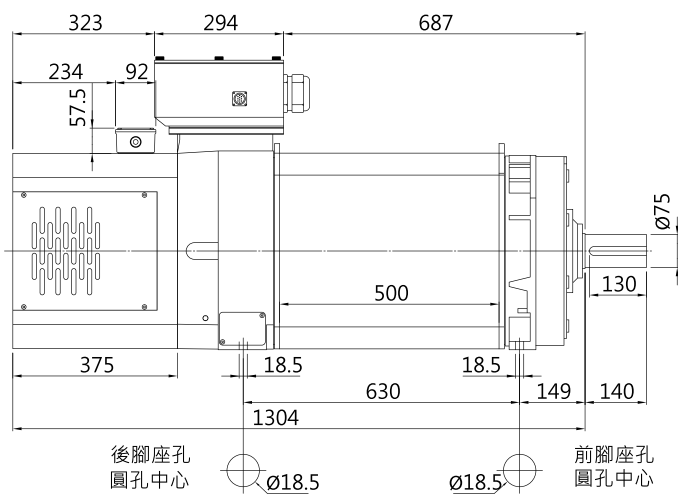
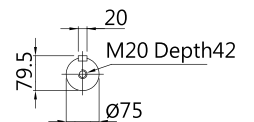
SVM-225S

軸心公差:  $\pm 0.005$   
引導公差:  $+0$   
 $-0.04$



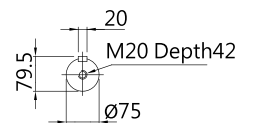
SVM-225M

軸心公差:  $\pm 0.005$   
引導公差:  $+0$   
 $-0.04$



SVM-225L

軸心公差:  $\pm 0.005$   
引導公差:  $+0$   
 $-0.04$



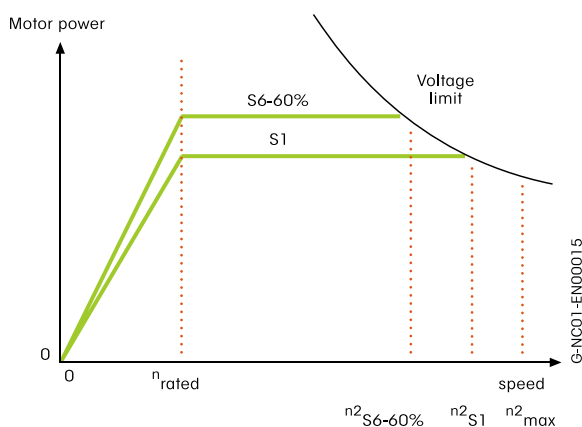
# AC SERVO SVM75~225 motors

Asynchronous Motors

Motor	Rated speed	Attainable speed for rated power in duty type in accordance with IEC	
	Mrated	M2	
		S1	S6~60%
TYPE	rpm	rpm	rpm
SVM-75S-30	3000	18000	18000
SVM-75M-30	3000	18000	18000
SVM-75L-30	3000	18000	18000
SVM-80S-10	1000	4000	3500
SVM-80S-15	1500	6000	5000
SVM-80S-20	2000	7600	6600
SVM-90S-10	1000	4000	3500
SVM-90S-15	1500	6000	5000
SVM-90S-20	2000	7600	6600
SVM-90M-10	1000	4000	3500
SVM-90M-15	1500	6000	5000
SVM-90M-20	2000	7600	6600
SVM-90L-10	1000	4000	3500
SVM-90L-15	1500	6000	5000
SVM-90L-20	2000	7600	6600
SVM-100S-10	1000	5000	4800
SVM-100S-15	1500	7500	7200
SVM-100S-20	2000	8000	7680
SVM-100M-10	1000	5000	4800
SVM-100M-15	1500	7500	7200
SVM-100M-20	2000	8000	7680
SVM-100L-10	1000	5000	4800
SVM-100L-15	1500	7500	7200
SVM-100L-20	2000	8000	7680
SVM-132S-10	1000	4000	4000
SVM-132S-15	1500	6000	6000
SVM-132S-20	2000	6000	6000
SVM-132M-10	1000	4000	4000
SVM-132M-15	1500	6000	6000
SVM-132M-20	2000	6000	6000
SVM-132L-10	1000	4000	4000
SVM-132L-15	1500	6000	6000
SVM-132L-20	2000	6000	6000

Motor	Rated speed	Attainable speed for rated power in duty type in accordance with IEC	
	Mrated	M2	
		S1	S6~60%
TYPE	rpm	rpm	rpm
SVM-132X-10	1000	4000	4000
SVM-132X-15	1500	4500	4500
SVM-132X-20	2000	4500	4500
SVM-160S-10	1000	4000	4000
SVM-160S-15	1500	4000	4000
SVM-160S-20	2000	3500	3500
SVM-160M-10	1000	4000	4000
SVM-160M-15	1500	4000	4000
SVM-160M-20	2000	3500	3500
SVM-160L-10	1000	4000	4000
SVM-160L-15	1500	4000	4000
SVM-160L-20	2000	3200	2800
SVM-180S-10	1000	4000	4000
SVM-180S-15	1500	4000	4000
SVM-180S-20	2000	4000	4000
SVM-180M-10	1000	4000	4000
SVM-180M-15	1500	4000	4000
SVM-180M-20	2000	4000	4000
SVM-180L-10	1000	4000	4000
SVM-180L-15	1500	4000	4000
SVM-180L-20	2000	4000	4000
SVM-225S-10	1000	4000	4000
SVM-225S-15	1500	4000	4000
SVM-225S-20	2000	4000	4000
SVM-225M-10	1000	4000	4000
SVM-225M-15	1500	4000	4000
SVM-225M-20	2000	4000	4000
SVM-225L-10	1000	4000	4000
SVM-225L-15	1500	4000	4000
SVM-225L-20	2000	4000	4000

## Characteristic curves



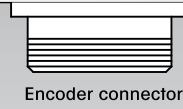
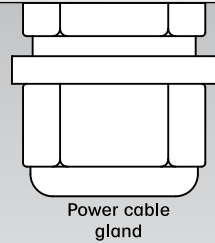
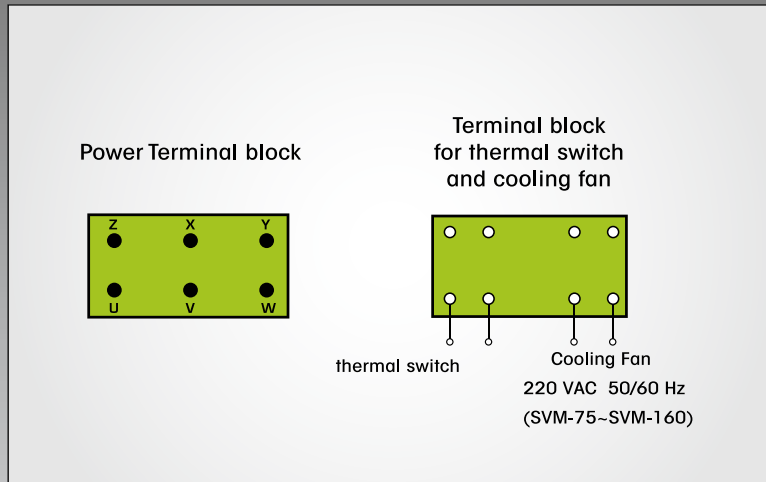
speed/power graph for AC motors 1)

The graph shows the typical relationship between motor speed drive power in SVM motors for the following duty types in accordance with IEC 60034-1

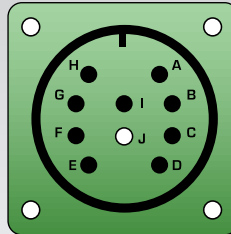
S1 : Continuous duty

S2 : Continuous duty with intermittent loading and a relative duty factor 60%(S6~60%) or 40%(S6~40%) with a maximum duty cycle time of 10 minutes.

# Terminal box



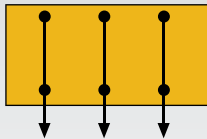
Description of encoder connector



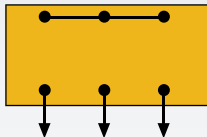
Line Driver push-pull

H	+5V	+Vcc
I	0V	0V
A	A	A
B	$\bar{A}$	0V
C	B	B
D	$\bar{B}$	0V
E	Z	Z
F	$\bar{Z}$	0V
G	Shield	Shield

Power Terminal block



Low voltage

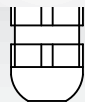
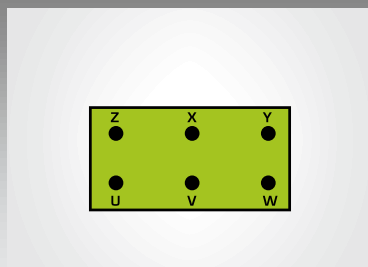


High Voltage

Line Driver Push-Pull

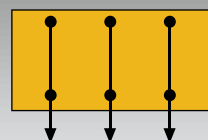
1	+5V	+Vcc
2	0V	0V
3	A	A
4	$\bar{A}$	0V
5	B	B
6	$\bar{B}$	0V
7	Z	Z
8	$\bar{Z}$	0V
9	Shield	Shield

# Blast Fan Terminal block

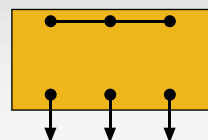


Blast Fan  
220/380 VAC 50/60 Hz  
(SVM-160~SVM-225)  
\*SVM-160,option

Blast Fan  
Power Terminal Block



Low voltage



High Voltage



**晟昌機電股份有限公司**

**CHENG CHANG MACHINE ELECTRONIC CORP.**

No.89, Ln.1005, Sec 1, Hemu Rd., Qingshui Dist.,  
Taichung City 43641, Taiwan(R.O.C)

43641 台中市清水區和睦路一段1005巷89號

TEL: +886-4-2620-2888

FAX: +886-4-2620-2777

**[www.solpower.com.tw](http://www.solpower.com.tw)**

E-mail: [sol.power@solpower.com.tw](mailto:sol.power@solpower.com.tw)

E-mail: [sol.power@msa.hinet.net](mailto:sol.power@msa.hinet.net)

